

User Guide

Elcometer 3000

Motorised and Manual Clemen Unit

CONTENTS

Section	Page
1 Overview	en-2
2 Box Contents	en-3
3 Working Safely	en-3
4 Getting Started	en-4
5 Testing a Sample - Manual Clemen Unit	en-4
6 Testing a Sample - Motorised Clemen Unit	en-6
7 Spares & Accessories	en-9
8 Care & Maintenance	en-9
9 Warranty Statement	en-10
10 Technical Specification	en-10
11 Legal Notices & Regulatory Information	en-11



For the avoidance of doubt, please refer to the original English language version.

Dimensions: Manual Clemen Unit: 410 x 200 x 155mm (16.1 x 7.9 x 6.1")
 Motorised Clemen Unit: 460 x 280 x 330mm (18 x 11 x 13")

Weight: Manual Clemen Unit: 6kg (13.2lb)
 Motorised Clemen Unit: 20kg (44lb)

© Elcometer Limited 2008 - 2019. All rights reserved. No part of this document may be reproduced, transmitted, transcribed, stored (in a retrieval system or otherwise) or translated into any language, in any form or by any means (electronic, mechanical, magnetic, optical, manual or otherwise) without the prior written permission of Elcometer Limited.

1 OVERVIEW

Available in two versions; Manual and Motorised, the Elcometer 3000 Clemen Unit is a robust and simple-to-use instrument for evaluation of the resistance to scratching of a coated surface. The sample can be metal, wood, glass, plastic or other hard materials.

A tool fitted with a hemispherical ball is lowered gradually onto the surface of the sample and moved in a straight line a distance of 60mm (2.4"). The downward force exerted by the tool onto the surface is adjustable by means of a sliding weight.

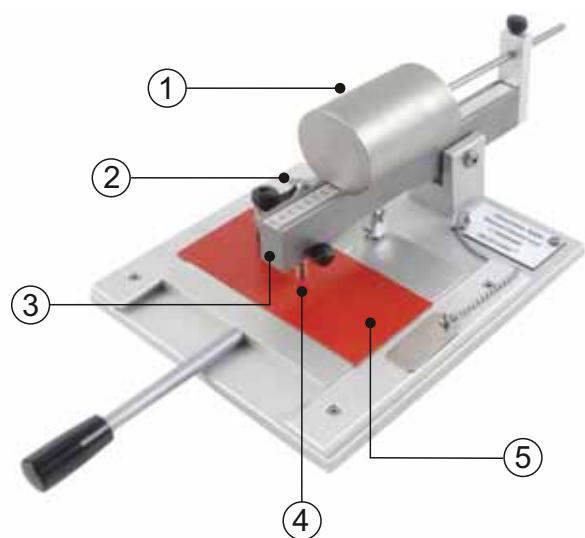
Depending on the purpose of the test and the force applied, varying degrees of penetration of the tool into the coating are observed, from a superficial trace to total destruction.

Elcometer 3000 Manual Clemen Unit: The sample is clamped to a sliding platform which is moved manually.

Elcometer 3000 Motorised Clemen Unit: The sample is clamped to a fixed platform. At the press of a button, the tool is moved across the sample and stops automatically at the end of its travel. Contact between the tool and a metallic sample is indicated by a lamp and voltmeter.

1.1 MANUAL CLEMEN UNIT

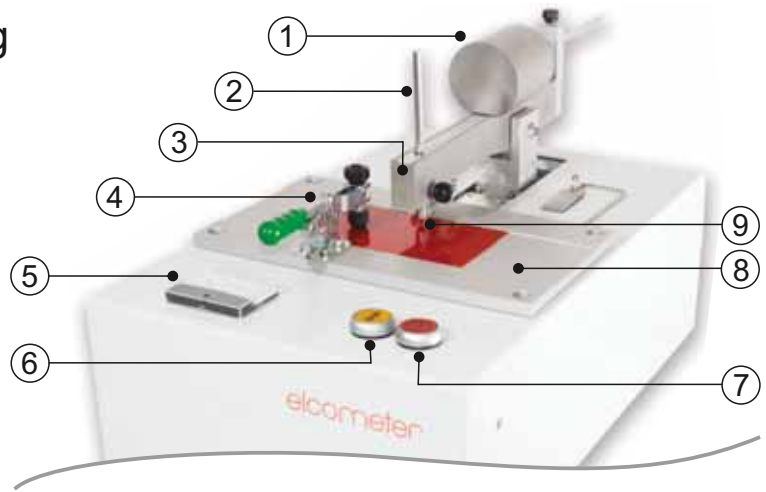
- 1 Weight
- 2 Clamp
- 3 Load Beam
- 4 Tool
- 5 Sample Platform



1 OVERVIEW (continued)

1.2 MOTORISED CLEMEN UNIT

- 1 Weight
- 2 Support for additional 1kg (2.2lb) weights
- 3 Load Beam
- 4 Clamp
- 5 Voltmeter
- 6 Start Button
- 7 Power On/Off Button
- 8 Sample Platform
- 9 Tool



2 BOX CONTENTS

- Elcometer 3000 Clemmen Unit
- Tungsten Carbide Ball Tool; 1mm (0.04")
- Calibration Certificate - *if ordered*
- User Guide

Additional items supplied with the Elcometer 3000 Motorised Clemmen Unit

- 1kg Weight (x4)
- Mains Leads: UK, EUR & US

The Elcometer 3000 Clemmen Unit is packed in a plywood and / or heavy duty cardboard and foam package. It is recommended that this packaging is retained and reused in the event that the instrument needs to be transported. If the packaging is disposed of, please ensure that this is done in an environmentally sensitive manner. Consult your local Environmental Authority for further guidance.

3 WORKING SAFELY



To reduce the risk of electric shock, do not open the housing of the Elcometer 3000 Motorised Clemmen Unit. There are no user-servicable parts inside. The warranty will be invalidated if the instrument has been opened.



To reduce the risk of fire or electric shock, do not expose the Elcometer 3000 Motorised Clemmen Unit to rain or excess moisture.

3 WORKING SAFELY (continued)

The IEC inlet is protected by one fuse - see Section 10 'Technical Specification' on page en-10 for fuse rating.

The UK mains plug is fitted with a fuse. When replacing this fuse, ensure a fuse of the correct rating is used - see Section 10 'Technical Specification' on page en-10 for details.

Elcometer recommends using mains leads approved by a recognised testing authority. Examples of suitable mains leads are UK, EUR H05RN-F 3G 0.75mm 2 cable, US SJT 18AWG/3C cable.

4 GETTING STARTED

4.1 INSTALLATION



The Elcometer 3000 Motorised Clemen Unit is heavy; manual lifting of the tester must be carried out by at least two people.

Place the Elcometer 3000 on a flat level surface suitable for the load imposed by the tester. The Elcometer 3000 Motorised Clemen Unit has adjustable feet which can be used to level the tester.

4.2 SWITCHING ON / OFF - MOTORISED CLEMEN UNIT ONLY

Press the On/Off button to switch the unit on. The button will illuminate when the unit is switched on. Press the On/Off button again to switch the unit off.

5 TESTING A SAMPLE - MANUAL CLEMEN UNIT

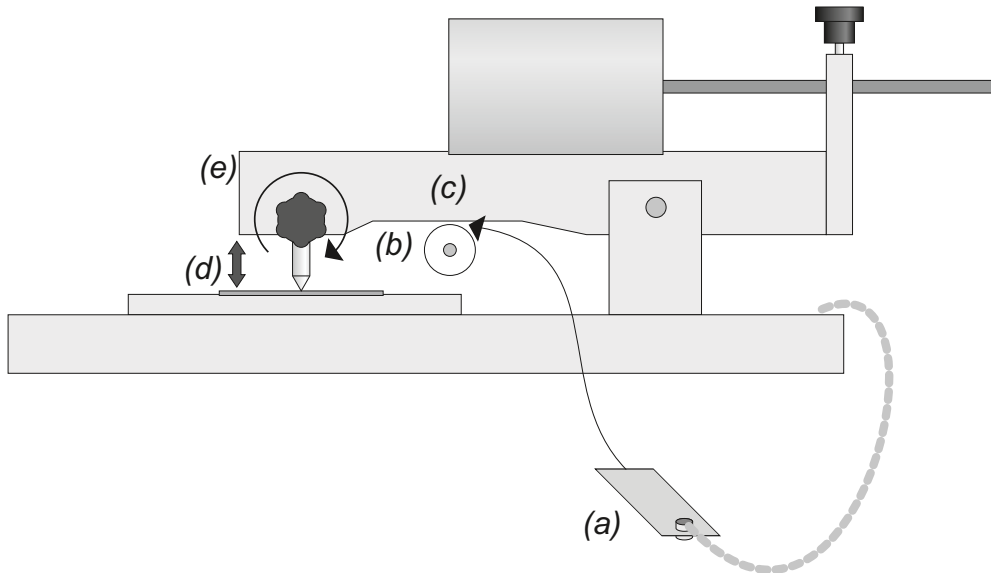
Before a sample can be tested, the height of the tool must be adjusted.

5.1 ADJUSTING THE TOOL HEIGHT

- 1 Place the sample onto the sample platform and fix into position by rotating the clamp handle.
- 2 Lift and hold the load beam in its raised position and slide the sample platform until the centre of the sample is underneath the tool.

5 TESTING A SAMPLE - MANUAL CLEMEN UNIT (continued)

- 3 Insert the metal shim (a) between the nylon wheel (b) and the load beam (c) and then lower the load beam.
- 4 Adjust the height of the tool (d) until it is touching the surface of the sample then tighten the knurled wheel (e), turning clockwise, to lock the tool into position.



- 5 Raise the load beam, remove the metal shim and slide the sample platform back to its starting position.
- 6 Slide the weight along the load beam to the required load and lock in place by tightening the knurled wheel. The load can be set from 0 to 2kg (0 to 4.4lb).

The instrument and sample are now ready for the test to be carried out.

5.2 TEST PROCEDURE

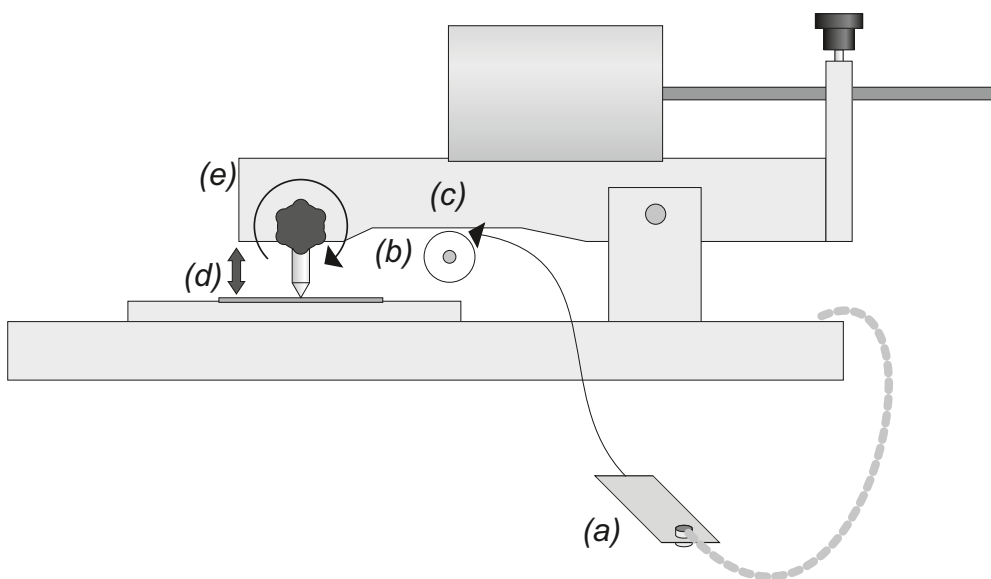
- 1 Pull the sample platform towards you in a single smooth action; the standard speed of movement is approximately 30mm/s (1.2"/s).
- 2 The tool will lower down onto the sample at the start of the test and raise up at the end of the test.
- 3 Inspect the sample for damage in accordance with the requirements of the test standard. Repeat the test as necessary, increase the loading between test.

6 TESTING A SAMPLE - MOTORISED CLEMEN UNIT

Before a sample can be tested, the height of the tool must be adjusted.

6.1 ADJUSTING THE TOOL HEIGHT

- 1 Connect the unit to the mains power supply and press the Power On/Off button to switch on the instrument.
- 2 Place the sample onto the sample platform and fix in position by rotating the clamp handle.
- 3 Adjust the height of the tool to its upper position to clear the sample.
- 4 With the tool positioned at either end, press the Start button then immediately press the Power On/Off button. This will stop the load beam near the centre.
- 5 Insert the metal shim (a) between the nylon wheel (b) and the load beam (c) and then lower the load beam.
- 6 Adjust the height of the tool (d) until it is touching the surface of the sample then tighten the knurled wheel (e), turning clockwise, to lock the tool into position.



- 7 Raise the load beam, remove the metal shim and whilst supporting the load beam, press the Power On/Off button followed by the Start button to return the tool to its starting position.
 - ▶ Supporting the load beam whilst the tool is moving to its starting position prevents damage to the sample surface, the tool or the sample platform.
- 8 Slide the weight along the load beam to the required load and lock in place by tightening the knurled wheel. The load can be set from 0 to 1.5kg (0 to 3.3lb) using the sliding weight.

6 TESTING A SAMPLE - MOTORISED CLEMEN UNIT (cont.)

For loads between 1.5 and 5kg (3.3 and 11lb) use the additional 1kg (2.2lb) supplied. Place the required number of weights on the vertical rod on the load beam to obtain the correct load. For example, if a load of 3.5kg (7.7lb) is required, place three of the 1kg (2.2lb) weights on to the vertical rod and slide the weight to the 0.5kg (1.1lb) mark on the scale.

The instrument and sample are now ready for the test to be carried out.

6.2 TEST PROCEDURE



Keep fingers clear of the mechanism during use.

- 1 Press the Start button. The tool will start to move and will lower down onto the sample at the start of the test, raise up at the end of the test and then stop automatically.
- 2 Inspect the sample for damage in accordance with the requirements of the test standard. Repeat the test as necessary, increase the loading between test.

The complete destruction of a paint film on a metallic sample is observed when the voltmeter needle indicates 10 V to 12 V and when the Start button flashes (the electrical detection device operates only on metallic samples which are uncoated on the reverse side).

6.3 TESTING THICK SAMPLES

The Elcometer 3000 Motorised Clemen Unit as supplied can be used to test samples with a maximum thickness of 3mm (0.12"). An Adjustment Kit is available to purchase as an optional accessory which allows testing of samples up to 20mm (0.8") thick.

The Adjustment Kit consists of the items listed below. Refer to Figure 1 on page en-8 for the location of the parts.

Part	Description	Qty
A	Load Beam Spacer; 55 x 39 x 5mm	3
B	Sample Clamp Spacer; 35 x 30 x 12mm	1
C	Height Gauge for Wheel; 5 & 15mm	1
	Height Gauge for Wheel; 10 & 20mm	1

6 TESTING A SAMPLE - MOTORISED CLEMEN UNIT (cont.)

Part	Description	Qty
D	Hexagonal Wrench; 3mm	1
E	M4 x 20 Screw for Load Beam	4 sets
F	M4 x 25 Screw for Sample Clamp	2 sets
G	Height Adjustable Wheel	1



Fit the parts in accordance with the recommendations given in the table below.

Sample Thickness		5mm Spacers for Load Beam Base (Qty)	12mm Spacer for Sample Clamp	Height Gauge for Wheel
mm	inches			
0.5 - 5	0.02 - 0.2	0	Not Required	5mm
5 - 10	0.2 - 0.4	1	Not Required	10mm
10 - 15	0.4 - 0.6	2	Required	15mm
15 - 20	0.6 - 0.8	3	Required	20mm

Note:

- 1) Fit the load beam base and sample clamp to the spacers using screws of an appropriate length (Parts E & F above).
- 2) Use the height gauge (Part C above) to adjust the height of the nylon wheel and then tighten the knurled wheel to lock in place.

7 SPARES & ACCESSORIES

7.1 BALL TOOL

Each Elcometer 3000 is supplied with a 1mm (0.04") tungsten carbide ball tool as standard.

Due to the nature of the test, the ball tool will wear with use. Spare / replacement tools are available to purchase from Elcometer or your local Elcometer supplier.

Description	Part Number
Tungsten Carbide Ball Tool; 1mm (0.04")	KT003000P021

7.2 CUTTING TOOL FOR SCRATCH TESTING

Available to purchase as an optional accessory, the cutting tool gives a much more aggressive scratch than the standard ball tool supplied with each instrument. When using the cutting tool, follow the same adjustment procedure and test procedure as given for the standard ball tool.

Description	Part Number
Tungsten Carbide Cutting Tool; 2mm (0.08")	KT003000N001

7.3 ADJUSTMENT KIT

Available to purchase as an optional accessory for the Elcometer 3000 Motorised Clemen Unit, the adjustment kit allows testing of samples up to 20mm (0.8") thick - see Section 6.3 'Testing Thick Samples' on page en-7 for further details.

Description	Part Number
Adjustment Kit from 5 - 20mm/0.02 - 0.8"	KT003000N015

8 CARE & MAINTENANCE

The top of the instrument around the test sample area should be regularly wiped clean using a dry cloth.

The Elcometer 3000 does not contain any user-serviceable components. In the unlikely event of a fault, the instrument should be returned to your local Elcometer supplier or directly to Elcometer.

The warranty will be invalidated if the instrument has been opened.

9 WARRANTY STATEMENT

The Elcometer 3000 is supplied with a 12 month warranty against manufacturing defects, excluding contamination and wear.

Replacement consumable parts and accessories, including but not limited to, ball and cutting tools, are excluded from the warranty.

10 TECHNICAL SPECIFICATION

10.1 ELCOMETER 3000 MANUAL CLEMEN UNIT	
Load Range	0 - 2kg (0 - 4.4lb)
Sample Size	75 x 150mm (3 x 6")
Sample Thickness	0.5 - 3mm (0.02 - 0.12")
Dimensions	410 x 200 x 155mm (16.1 x 7.9 x 6.1")
Weight	6kg (13.2lb)
Can be used in accordance with: AS/NZS 1580.403.1, BS 3900-E2, DIN 53799, ECCA T12, EN 13523-12, ISO 1518-1:2011	

10.2 ELCOMETER 3000 MOTORISED CLEMEN UNIT		
Load Range	0 - 5kg (0 - 11lb)	
Sample Size	75 x 150mm (3 x 6")	
Sample Thickness	Standard:	0.5 - 3mm (0.02 - 0.12")
	Extended^a:	5 - 20mm (0.2 - 0.8")
Operating Voltage	UK / EU:	230V AC; 0.1A; 50Hz
	US:	120V AC; 0.2A; 60Hz
Transient Overvoltage	Category II	
Fuse Rating	Power Inlet:	1 x T2AH250V
	DC Fuse^b:	1 x T315MAH250V
	UK Plug:	1 x T3AH250V
Operating Temperature (ambient air)	5 to 40°C (41 to 104°F)	
Transportation & Storage Temperature	-10 to 55°C (14 to 131°F)	
Humidity Range	Not to exceed 80% relative humidity up to 31°C (88°F), decreasing linearly to 50% at 40°C (104°F).	
<i>continued on page en-11</i>		

^a Using the optional Adjustment Kit - see Section 6.3 'Testing Thickness Samples' on page en-7.

^b Located above power inlet.

10 TECHNICAL SPECIFICATION (continued)

10.2 ELCOMETER 3000 MOTORISED CLEMEN UNIT (continued)	
Pollution Degree	2
Enclosure IP Rating	IP20
Dimensions	460 x 280 x 330mm (18 x 11 x 13")
Weight	20kg (44lb)
Note: For indoor use only at altitudes up to 2000m (6562ft). Mains supply fluctuations up to 10% of the nominal voltage. Temporary overvoltages occurring on the supply.	
Can be used in accordance with: AS/NZS 1580.403.1, BS 3900-E2, DIN 53799, ECCA T12, EN 13523-12, ISO 1518-1:2011, JIS K 5600-5-5	

11 LEGAL NOTICES & REGULATORY INFORMATION

Declaration of Conformity:

The Elcometer 3000 Motorised Clemem Unit complies with the requirements of the following EU Directives:

2006/42/EC Machinery Directive, as amended by 2009/127/EC and 2014/33/EU

2014/30/EU Electromagnetic Compatibility

The Declaration of Conformity is available to download via:

www.elcometer.com/images/stories/PDFs/Datasheets/Declaration_of_Conformity/English/DoC_3000_Motorised.pdf

This product is Class B, Group 1 ISM equipment according to CISPR 11.

Class B product: Suitable for use in domestic establishments and in establishments directly connected to a low voltage power supply network which supplies buildings used for domestic purposes.

Group 1 ISM product: A product in which there is intentionally generated and/or used conductively coupled radio frequency energy which is necessary for the internal functioning of the equipment itself.

NOTE: This equipment has been tested and found to comply with the limits for a Class B digital device, pursuant to Part 15 of the FCC Rules. These limits are designed to provide reasonable protection against harmful interference in a residential installation. This equipment generates, uses and can radiate radio frequency energy and, if not installed and used in accordance with the instructions, may cause harmful interference to radio communications. However, there is no guarantee that interference will not occur in a particular installation. If this equipment does cause harmful interference to radio or television reception, which can be determined by turning the equipment off and on, the user is encouraged to try to correct the interference by one or more of the following measures:

- Reorient or relocate the receiving antenna.
- Increase the separation between the equipment and receiver.
- Connect the equipment into an outlet on a circuit different from that to which the receiver is connected
- Consult the dealer or an experienced radio/TV technician for help.

To satisfy FCC RF Exposure requirements for mobile and base station transmission devices, a separation distance of 20 cm or more should be maintained between the antenna of this device and persons during operation. To ensure compliance, operation at closer than this distance is not recommended. The antenna(s) used for this transmitter must not be co-located or operating in conjunction with any other antenna or transmitter.

Modifications not expressly approved by Elcometer Limited could void the user's authority to operate the equipment under FCC rules.

elcometer® is a registered trademark of Elcometer Limited, Edge Lane, Manchester, M43 6BU. United Kingdom

All other trademarks acknowledged.

The Elcometer 3000 Clemem Unit is packed in a plywood and / or heavy duty cardboard and foam package. It is recommended that this packaging is retained and reused in the event that the instrument needs to be transported. If the packaging is disposed of, please ensure that this is done in an environmentally sensitive manner. Consult your local Environmental Authority for further guidance.

Head-Office: Elcometer Limited, Edge Lane, Manchester, M43 6BU, United Kingdom.



Guide d'utilisation

Elcometer 3000

Clemen Manuel et Motorisé

SOMMAIRE

Section	Page
1 Présentation	fr-2
2 Colisage	fr-3
3 Travailler en toute sécurité	fr-3
4 Premières démarches	fr-4
5 Tester un échantillon - Clemen manuel	fr-4
6 Tester un échantillon - Clemen motorisé	fr-6
7 Pièces de rechange et accessoires	fr-9
8 Entretien & Maintenance	fr-9
9 Déclaration de garantie	fr-10
10 Caractéristiques techniques	fr-10
11 Mentions légales et dispositions réglementaires	fr-11



En cas de doute, merci de vous référer à la version originale anglaise de ce manuel.

Dimensions:	Clemen Manuel:	410 x 200 x 155mm (16.1 x 7.9 x 6.1")
	Clemen Motorisé:	460 x 280 x 330mm (18 x 11 x 13")
Poids:	Clemen Manuel :	6kg (13.2lb)
	Clemen Motorisé:	20kg (44lb)

© Elcometer Limited 2008 - 2019. Tous droits réservés. Aucune partie de ce document ne peut être reproduite, transmise, transcrite, stockée (dans un système documentaire ou autre) ou traduite dans quelque langue que ce soit, sous quelque forme que ce soit ou par n'importe quel moyen (électronique, mécanique, magnétique, optique, manuel ou autre) sans la permission écrite préalable d'Elcometer Limited.

1 PRÉSENTATION

Disponible en deux versions - Manuel et Motorisé - l'Elcometer 3000 Clemen est un instrument robuste et simple d'emploi pour évaluer la résistance à la rayure d'une surface revêtue. L'échantillon peut être en métal, bois, verre, plastique ou tout autre matériau solide.

Un outil équipé d'une bille hémisphérique est progressivement abaissé sur la surface de l'échantillon et déplacé pour former une ligne de 60 mm (2.4"). La force exercée par l'outil sur la surface peut être réglée à l'aide d'un poids coulissant.

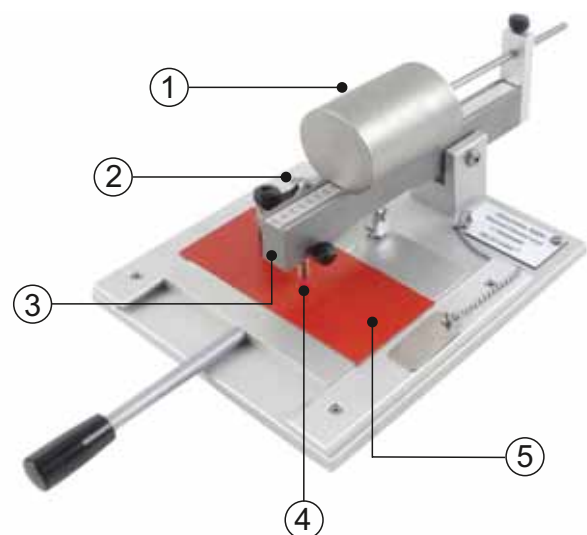
Selon la finalité de l'essai et la force appliquée, il est possible d'observer différents degrés de pénétration de l'outil dans le revêtement, de la formation d'une marque superficielle à la destruction totale.

Elcometer 3000 Clemen Manuel: l'échantillon est maintenu par une pince sur une plateforme coulissante manœuvrée manuellement.

Elcometer 3000 Clemen Motorisé: l'échantillon est maintenu par une pince sur une plateforme fixe. Lorsque vous appuyez sur le bouton, l'outil se déplace sur l'échantillon et s'arrête automatiquement à la fin de sa course. Le contact entre l'outil et l'échantillon métallique est indiqué par une ampoule et un voltmètre.

1.1 CLEMEN MANUEL

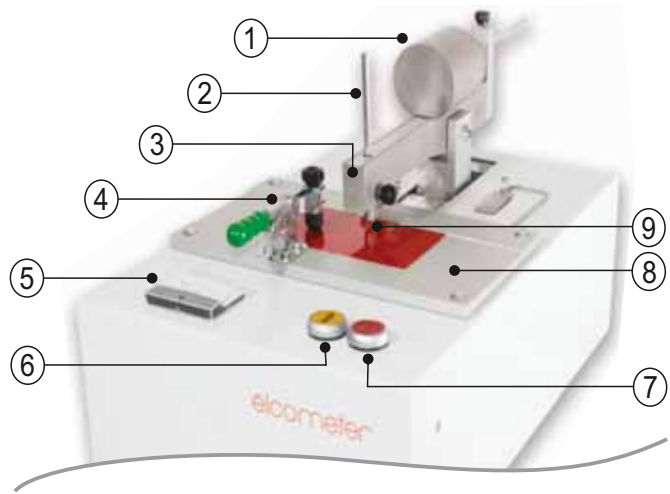
- 1 Poids
- 2 Pince
- 3 Bras de charge
- 4 Outil
- 5 Plateforme pour échantillon



1 PRÉSENTATION (suite)

1.2 CLEMEN MOTORISÉ

- 1 Poids
- 2 Support pour poids additionnels 1 Kg (2.2lb)
- 3 Bras de charge
- 4 Pince
- 5 Voltmètre
- 6 Bouton de démarrage
- 7 Bouton Marche/Arrêt
- 8 Plateforme pour échantillon
- 9 Outil



2 COLISAGE

- Elcometer 3000 Clemens
- Outil à bille en carbure de tungstène; 1 mm (0.04")
- Certificat de calibration - *si commandé*
- Guide d'utilisation

Elements supplémentaires livrés avec l'Elcometer 3000 Clemens Motorisé

- Poids 1 Kg (x 4)
- Câble d'alimentation : UK, EUR & US

L'Elcometer 3000 Clemens est livré dans un emballage en contreplaqué, carton robuste et mousse. Nous vous recommandons de conserver cet emballage pour le transport de votre instrument. Si vous ne souhaitez pas le conserver, merci de l'éliminer dans le respect de l'environnement. Contactez la déchetterie de votre localité pour en savoir plus.

3 TRAVAILLER EN TOUTE SÉCURITÉ



Pour éviter tout risque de choc électrique, n'ouvrez pas le boîtier de votre Elcometer 3000 Clemens Motorisé. Il ne contient aucun composant réparable par l'utilisateur. L'ouverture de l'instrument entraînera l'annulation de la garantie.



Pour éviter tout risque de choc électrique, n'exposez pas votre Elcometer 3000 Clemens à la pluie ou à une humidité excessive.

3 TRAVAILLER EN TOUTE SÉCURITÉ (suite)

La prise secteur CEI est protégée par un fusible - voir Section 10 'Caractéristiques techniques' en page fr-10 pour connaître le calibre du fusible.

La prise secteur UK est équipée d'un fusible. Lors de son remplacement, assurez-vous de choisir le bon calibre - voir Section 10 'Caractéristiques Techniques' en page fr-10 pour en savoir plus.

Elcometer vous recommande d'utiliser un câble d'alimentation approuvé par un organisme de contrôle reconnu. Exemples de câbles d'alimentation adaptés : câble UK, EUR H05RN-F 3G 0.75mm 2, câble US SJT 18AWG/3C.

4 PREMIÈRES DÉMARCHES

4.1 INSTALLATION



L'Elcometer 3000 Clemen est un instrument lourd; prévoir deux personnes pour le soulever à la main.

Installez l'Elcometer 3000 sur une surface plane adaptée au poids de l'instrument. L'Elcometer 3000 Clemen Motorisé est équipé de pieds réglables en hauteur pour ajuster le niveau de l'instrument.

4.2 MARCHE/ARRÊT - CLEMEN MOTORISÉ SEULEMENT

Appuyez sur le bouton Marche/Arrêt pour allumer l'instrument. Le bouton est lumineux lorsque l'instrument est en marche. Appuyez de nouveau sur le bouton Marche/Arrêt pour éteindre l'instrument.

5 TESTER UN ÉCHANTILLON - CLEMEN MANUEL

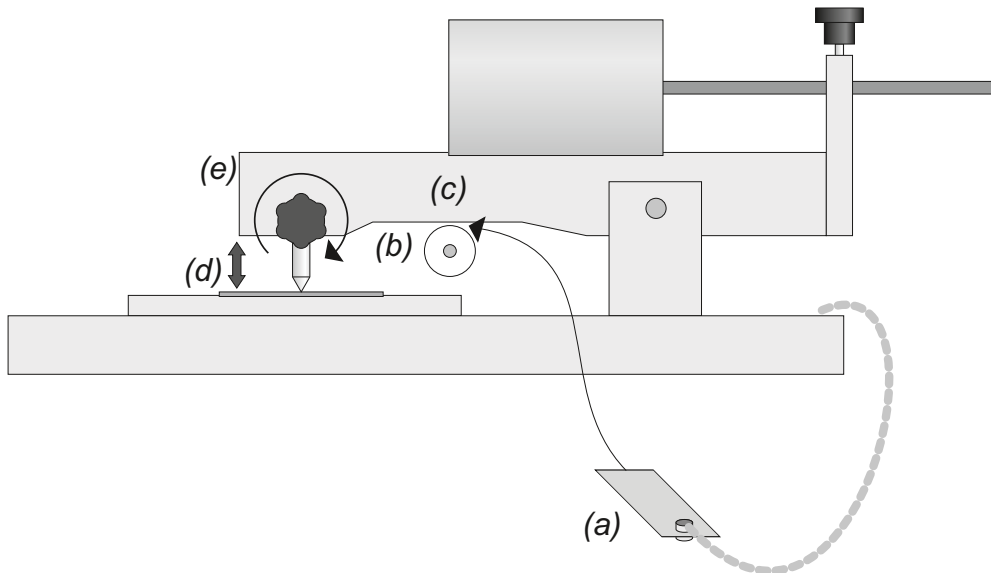
Avant de tester tout échantillon, réglez la hauteur de l'outil.

5.1 RÉGLER LA HAUTEUR DE L'OUTIL

- 1 Placez l'échantillon sur la plateforme et tournez la poignée de la pince pour le maintenir en place.
- 2 Levez et maintenez le bras de charge en position haute et faites coulisser la plateforme jusqu'à ce que le centre de l'échantillon se trouve en-dessous de l'outil.

5 TESTER UN ÉCHANTILLON - CLEMEN MANUEL (suite)

- 3 Insérez la cale métallique (a) entre la roulette en nylon (b) et le bras de charge (c) et abaissez le bras.
- 4 Ajustez la hauteur de l'outil (d) pour qu'il soit en contact avec la surface, puis tournez la molette (e) dans le sens des aiguilles d'une montre pour verrouiller la position de l'outil.



- 5 Relevez le bras de charge, retirez la cale métallique et replacez la plateforme dans sa position de départ en la faisant coulisser.
- 6 Faites coulisser le poids sur le bras jusqu'à la charge souhaitée et tournez la molette pour verrouiller la position. La charge peut être réglée de 0 à 2 Kg (0 à 4.4lb).

L'instrument et l'échantillon sont désormais prêts pour l'essai.

5.2 PROCÉDURE DE TEST

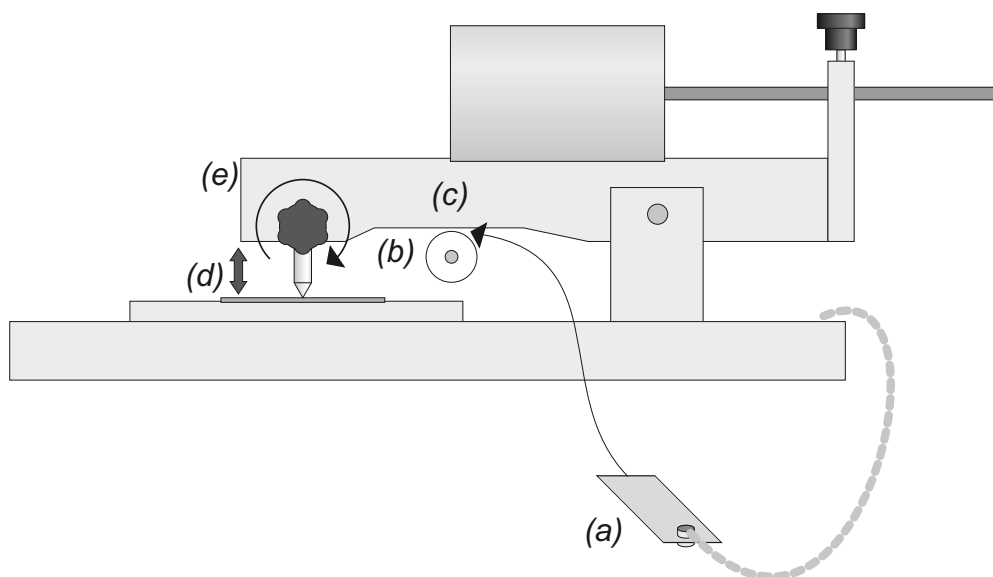
- 1 Tirez la plateforme à échantillon vers vous en un seul mouvement régulier ; la vitesse normalisée est d'environ 30 mm/s (1.2"/s).
- 2 L'outil descend sur l'échantillon au début de l'essai et se relève à la fin.
- 3 Examinez les dommages subis par l'échantillon conformément aux exigences de la norme d'essai. Renouvelez l'essai si nécessaire, augmentez la charge entre chaque essai.

6 TESTER UN ÉCHANTILLON - CLEMEN MOTORISÉ

Avant qu'un échantillon puisse être testé, la hauteur de l'outil doit être réglée.

6.1 RÉGLER LA HAUTEUR DE L'OUTIL

- 1 Branchez l'instrument sur l'alimentation et appuyez sur le bouton Marche/Arrêt pour allumer l'appareil.
- 2 Placez l'échantillon sur la plateforme et tournez la poignée de la pince pour le maintenir en place.
- 3 Réglez la hauteur de l'outil au maximum pour libérer l'échantillon.
- 4 L'outil doit être positionné à l'une des extrémités ; appuyez alors sur le bouton Démarrage (Start) puis immédiatement après sur le bouton Marche/Arrêt. Ceci stoppera le bras de charge à proximité du centre.
- 5 Insérez la cale métallique (a) entre la roulette en nylon (b) et le bras de charge (c) puis abaissez le bras.
- 6 Ajustez la hauteur de l'outil (d) pour qu'il soit en contact avec la surface, puis tournez la molette (e) dans le sens des aiguilles d'une montre pour verrouiller la position de l'outil.



- 7 Relevez le bras de charge, retirez la cale métallique. Maintenez le bras en l'air et appuyez sur le bouton Marche/Arrêt puis sur le bouton Démarrage (Start) pour faire revenir l'outil dans sa position de départ.
 - ▶ Le fait de maintenir le bras pendant le retour de l'outil en position de départ évite d'endommager la surface de l'échantillon, l'outil ou la plateforme elle-même.
- 8 Faites coulisser le poids sur le bras jusqu'à la charge souhaitée et tournez la molette pour verrouiller la position. La charge peut être réglée de 0 à 1.5 Kg (0 à 3.3lb) à l'aide du poids coulissant.

6 TESTER UN ÉCHANTILLON - CLEMEN MOTORISÉ (suite)

Pour appliquer des charges comprises entre 1.5 et 5 Kg (3.3 et 11lb), utilisez les poids supplémentaires de 1 Kg (2.2lb) fournis. Placez le nombre de poids nécessaire sur la tige verticale du bras pour obtenir la charge souhaitée. Par exemple, si vous voulez appliquer une charge de 3.5 Kg (7.7lb), placez trois poids 1 Kg (2.2lb) sur la tige verticale et déplacez le poids coulissant sur la graduation 0.5 Kg (1.1lb) de la règle.

L'instrument et l'échantillon sont désormais prêts pour l'essai.

6.2 PROCÉDURE D'ESSAI



Eloignez vos doigts du mécanisme pendant le fonctionnement de l'instrument.

- 1 Appuyez sur le bouton Démarrage (Start). L'outil bouge et descend sur l'échantillon au départ de l'essai, se relève et à la fin arrête automatiquement.
- 2 Examinez les dommages subis par l'échantillon conformément aux exigences de la norme d'essai. Renouvelez l'essai autant que nécessaire, augmentez la charge entre chaque essai.

La destruction complète d'un film de peinture sur un échantillon métallique est avérée lorsque l'aiguille du voltmètre indique une valeur entre 10 V et 12 V et que le bouton Start clignote (le dispositif de détection électrique ne fonctionne que sur des échantillons métalliques dont l'autre face n'est pas revêtue).

6.3 TESTER DES ÉCHANTILLONS ÉPAIS

Dans sa version standard, L'Elcometer 3000 Clemen Motorisé permet de tester des échantillons d'une épaisseur maximale de 3 mm (0.12"). Un Kit d'ajustement disponible en option permet de tester des échantillons jusqu'à 20 mm (0.8") d'épaisseur.

Le Kit d'ajustement est composé des éléments répertoriés ci-dessous. Référez-vous à la Figure 1 en page fr-8 pour repérer l'emplacement des composants.

Composant	Description	Qté
A	Entretoise pour bras de charge ; 55 x 39 x 5 mm	3
B	Entretoise pour pince échantillon ; 35 x 30 x 12 mm	1
C	Cale de hauteur pour roulette ; 5 & 15 mm	1
	Cale de hauteur pour roulette ; 10 & 20 mm	1

6 TESTER UN ÉCHANTILLON - CLEMEN MOTORISÉ (suite)

Composant	Description	Qté
D	Clé hexagonale; 3mm	1
E	Vis M4 x 20 pour bras de charge	4 jeux
F	Vis M4 x 25 pour pince échantillon	2 jeux
G	Roulette à hauteur réglable	1



Installez les composants conformément aux instructions données dans le tableau ci-dessous.

Épaisseur échantillon		Entretoise 5 mm pour bras de charge (Qté)	Entretoise 12 mm pour pince échantillon	Cale de réglage de hauteur pour roulette
mm	pouces			
0.5 - 5	0.02 - 0.2	0	Non requis	5mm
5 - 10	0.2 - 0.4	1	Non requis	10mm
10 - 15	0.4 - 0.6	2	Non requis	15mm
15 - 20	0.6 - 0.8	3	Non requis	20mm

Note:

- 1) Fixez la base du bras de charge et la pince échantillon sur les entretoises à l'aide de vis de longueur appropriée (Composants E & F ci-dessus).
- 2) Réglez la hauteur de la roulette en nylon à l'aide de la cale de réglage (composant C ci-dessus), puis serrez la molette pour verrouiller la position.

7 PIÈCES DE RECHANGE ET ACCESSOIRES

7.1 OUTIL A BILLE

L'Elcometer 3000 est livré en standard avec un outil à bille 1 mm (0.4") en carbure de tungstène.

En raison du principe d'essai, l'outil à bille s'use avec le temps. Vous pouvez acheter des outils de rechange auprès d'Elcometer ou de votre fournisseur Elcometer local.

Description

Outil à bille en carbure de tungstène; 1 mm (0.04")

Référence article

KT003000P021

7.2 OUTIL DE COUPE POUR TEST DE RAYURE

Disponible en option, l'outil de coupe produit une rayure beaucoup plus agressive que l'outil à bille standard livré avec l'instrument. Pour utiliser l'outil de coupe, suivez la même procédure de réglage et d'essai que pour l'outil à bille standard.

Description

Outil de coupe 2 mm (0.08") en carbure de tungstène

Référence article

KT003000N001

7.3 KIT D'AJUSTEMENT

Disponible en option pour l'Elcometer 3000 Clemen Motorisé, le Kit d'ajustement permet de tester des échantillons d'une épaisseur maximale de 20 mm (0.8") - voir Section 6.3 'Tester des échantillons épais' en page fr-7 pour plus d'informations.

Description

Kit d'ajustement 5-20 mm / 0.02-0.8"

Référence article

KT003000N015

8 ENTRETIEN & MAINTENANCE

Essuyez régulièrement la zone située autour de l'échantillon sur le dessus de l'instrument avec un chiffon sec.

L'Elcometer 3000 ne contient aucun composant réparable par l'utilisateur. En cas de problème, retournez l'instrument à votre fournisseur Elcometer local ou directement chez Elcometer.

L'ouverture de l'instrument entraînera une annulation de la garantie.

9 DÉCLARATION DE GARANTIE

L'Elcometer 3000 est garanti 12 mois contre tout défaut de fabrication, à l'exclusion des défauts de contamination et d'usure.

Les pièces de rechange consommables et accessoires, comme par exemple les outils à bille et outils de coupe, sont exclus de la garantie.

10 CARACTÉRISTIQUES TECHNIQUES

10.1 ELCOMETER 3000 CLEMEN MANUEL	
Plage de charge	0 - 2kg (0 - 4.4lb)
Taille échantillon	75 x 150mm (3 x 6")
Epaisseur échantillon	0.5 - 3mm (0.02 - 0.12")
Dimensions	410 x 200 x 155mm (16.1 x 7.9 x 6.1")
Poids	6kg (13.2lb)
Peut être utilisé conformément à: AS/NZS 1580.403.1, BS 3900-E2, DIN 53799, ECCA T12, EN 13523-12, ISO 1518-1:2011	

10.2 ELCOMETER 3000 CLEMEN MOTORISÉ		
Plage de charge	0 - 5kg (0 - 11lb)	
Taille échantillon	75 x 150mm (3 x 6")	
Epaisseur échantillon	Standard:	0.5 - 3mm (0.02 - 0.12")
	Etendue^a:	5 - 20mm (0.2 - 0.8")
Tension de fonctionnement	UK / EU:	230V AC; 0.1A; 50Hz
	US:	120V AC; 0.2A; 60Hz
Surtension transitoire	Catégorie II	
Calibre fusible	Fiche d'alimentation:	1 x T2AH250V
	Fusible^b DC:	1 x T315MAH250V
	Prise UK :	1 x T3AH250V
Température d'utilisation (air ambiant)	5 à 40°C (41 à 104°F)	
Température de transport & stockage	-10 à 55°C (14 à 131°F)	
Plage d'humidité	Ne pas dépasser 80% d'humidité relative jusqu'à 31°C (88°F) en décroissance linéaire jusqu'à 50% à 40°C (104°F).	
<i>suite en page fr-11</i>		

^a Avec Kit d'ajustement optionnel - voir Section 6.3 'Tester des échantillons épais' en page fr-7.

^b Situé au-dessus de la prise d'alimentation.

10 CARACTÉRISTIQUES TECHNIQUES (suite)

10.2 ELCOMETER 3000 CLEMEN MOTORISÉ (suite)	
Degré de pollution	2
Indice IP du boîtier de protection	IP20
Dimensions	460 x 280 x 330mm (18 x 11 x 13")
Poids	20kg (44lb)
Note: Utilisation exclusive en intérieur à des altitudes inférieures à 2000m (6562ft). Variations de la tension d'alimentation inférieures à 10% de la tension nominale. Surtensions temporaires sur l'alimentation.	
Peut être utilisé conformément à: AS/NZS 1580.403.1, BS 3900-E2, DIN 53799, ECCA T12, EN 13523-12, ISO 1518-1:2011, JIS K 5600-5-5	

11 MENTIONS LÉGALES ET DISPOSITIONS RÉGLEMENTAIRES

Déclaration de Conformité:

L'Elcometer 3000 Clemen Motorisé est conforme aux Directives EU suivantes :

2006/42/EC Directive Machines, modifiée par 2009/127/CE et 2014/33/EU

2014/30/EU Compatibilité électromagnétique

Vous pouvez télécharger la Déclarations de Conformité sur:

www.elcometer.com/images/stories/PDFs/Datasheets/Declaration_of_Conformity/French/DoC_3000_Motorised.pdf

Ce produit est un équipement de Classe B, Groupe 1 ISM conformément au CISPR 11.

Les produits de Classe B peuvent être utilisés dans les établissements domestiques et dans les établissements directement reliés à un réseau basse tension qui alimente des bâtiments à usage domestique.

Produit ISM de Groupe 1 : produit dans lequel on génère et/ou utilise intentionnellement l'énergie radioélectrique nécessaire au fonctionnement interne de l'équipement lui-même.

NOTE : cet équipement a été testé et déclaré conforme aux limites pour appareils numériques de Classe B selon la section 15 des réglementations de la FCC. Ces limites sont conçues pour fournir une protection raisonnable contre les interférences nuisibles dans une installation domestique. Cet équipement génère, utilise et peut émettre de l'énergie radioélectrique et, s'il n'est installé et utilisé conformément aux présentes instructions, peut causer des interférences nuisibles aux communications radio. Cependant, rien ne garantit l'absence d'interférences dans une installation particulière. Si cet appareil cause des interférences nuisibles à la réception des signaux de radio ou de télévision, ce qui peut être déterminé en allumant et en éteignant l'appareil, l'utilisateur peut tenter de résoudre le problème de l'une des façons suivantes :

- Réorienter ou changer l'antenne réceptrice de place.
- Augmenter la distance séparant l'équipement du récepteur.
- Raccorder l'équipement à une prise ou à un circuit indépendant de celui sur lequel est connecté le récepteur.
- Consulter l'installateur ou un technicien spécialisé en radio/télévision pour obtenir de l'aide.

Pour satisfaire aux exigences de la FCC relatives à l'exposition aux radiofréquences (RF) pour les appareils de transmission mobiles et les stations de base, il faut garder une distance de séparation de 20 cm ou plus entre l'antenne de cet appareil et les personnes pendant l'utilisation. Pour garantir la conformité, nous

déconseillons d'utiliser l'appareil à une distance inférieure à celle-ci. La ou les antenne(s) utilisée(s) pour cet émetteur ne doivent pas être installée(s) ou utilisée(s) en conjonction avec d'autres antennes ou émetteurs.

Les modifications non expressément approuvées par Elcometer Limited peuvent annuler l'autorisation de l'utilisateur d'utiliser cet appareil selon les règles de la FCC.

elcometer® Elcometer est une marque déposée d'Elcometer Limited, Edge Lane, Manchester, M43 6BU. Royaume Uni.

Toutes les autres marques sont reconnues.

L'Elcometer 3000 Clemen est livré dans un emballage en contreplaqué, carton robuste et mousse. Nous vous recommandons de conserver cet emballage pour le transport de votre instrument. Si vous ne souhaitez pas le conserver, merci de l'éliminer dans le respect de l'environnement. Contactez la déchetterie de votre localité pour en savoir plus.

Siège Social : Elcometer Limited, Edge Lane, Manchester, M43 6BU. Royaume Uni.



Gebrauchsanleitung

Elcometer 3000

Automatischer und manueller Clemen-Ritzhärteprüfer

INHALT

Abschnitt	Seite
1 Überblick	de-2
2 Packungsinhalt	de-3
3 Sicher arbeiten	de-3
4 Erste Schritte	de-4
5 Prüfung einer Probe – manueller Clemen-Ritzhärteprüfer	de-4
6 Prüfung einer Probe – automatischer Clemen-Ritzhärteprüfer	de-6
7 Ersatzteile und Zubehör	de-9
8 Pflege und Wartung	de-9
9 Garantie	de-10
10 Technische Daten	de-10
11 Rechtliche Hinweise und behördliche Informationen	de-11



Beziehen Sie sich im Zweifelsfall bitte auf die englischsprachige Version.

Abmessungen: Manueller Clemen-Ritzhärteprüfer: 410 x 200 x 155mm (16,1 x 7,9 x 6,1")
Automatischer Clemen-Ritzhärteprüfer: 460 x 280 x 330mm (18 x 11 x 13")

Gewicht: Manueller Clemen-Ritzhärteprüfer: 6kg (13,2lb)
Automatischer Clemen-Ritzhärteprüfer: 20kg (44lb)

© Elcometer Limited 2008 - 2019. Sämtliche Rechte vorbehalten. Kein Teil dieses Dokuments darf ohne die vorherige schriftliche Genehmigung der Elcometer Limited in jedweder Form oder auf jedwede Art reproduziert, übertragen, transkribiert, gespeichert (in einem Abrufsystem oder auf sonstige Weise) oder in jedwede Sprache (elektronisch, mechanisch, magnetisch, optisch, manuell oder auf sonstige Weise) übersetzt werden.

1 ÜBERBLICK

Der in einer automatischen und manuellen Ausführung erhältliche Elcometer 3000 Clemen-Ritzhärteprüfer ist ein robustes und leicht bedienbares Gerät für die Bewertung der Ritzhärte einer beschichteten Oberfläche. Das Probenmaterial kann Metall, Glas, Kunststoff oder ein anderes hartes Material sein.

Ein mit einer Halbkugel versehenes Werkzeug wird schrittweise auf die Probenoberfläche abgesenkt und geradeaus über eine Distanz von 60 mm (2,4“) bewegt. Der vom Werkzeug auf die Oberfläche aufgebraachte Druck ist mithilfe eines Gleitgewichts einstellbar.

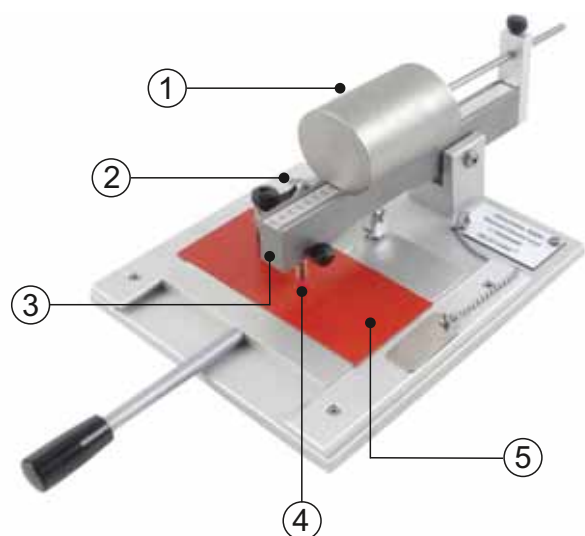
Je nach Prüfungszweck und aufgebraachter Kraft sind unterschiedliche Eindringtiefen des Werkzeugs in die Beschichtung erreichbar – von einer oberflächlichen Spur bis zur vollständigen Zerstörung.

Manueller Elcometer 3000 Clemen-Ritzhärteprüfer: Die Probe wird auf einen Gleittisch geklemmt, der von Hand bewegt wird.

Automatischer Elcometer 3000 Clemen-Ritzhärteprüfer: Die Probe wird auf einen feststehenden Tisch gespannt. Das Werkzeug wird mittels Tastendruck über die Probe bewegt und stoppt am Ende seines Fahrweges automatisch. Der Kontakt des Werkzeugs mit einer metallischen Probe wird durch eine Lampe und ein Voltmeter angezeigt.

1.1 MANUELLER CLEMEN-RITZHÄRTEPRÜFER

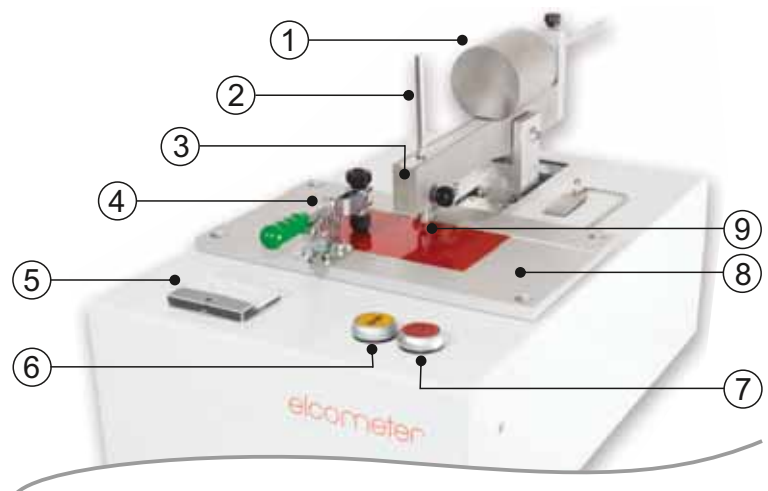
- 1 Gewicht
- 2 Klemme
- 3 Lastarm
- 4 Werkzeug
- 5 Probentisch



1 ÜBERBLICK (Fortsetzung)

1.2 AUTOMATISCHER CLEMEN-RITZHÄRTEPRÜFER

- 1 Gewicht
- 2 Halterung für zusätzliche 1-kg-Gewichte (2,2 lb)
- 3 Lastarm
- 4 Klemme
- 5 Voltmeter
- 6 Start-Taste
- 7 Ein/Aus-Taste
- 8 Proben­tisch
- 9 Werkzeug



2 PACKUNGSINHALT

- Elcometer 3000 Clemen-Ritzhärteprüfer
- Kugelförmiges Wolframkarbidwerkzeug: 1 mm (0,04“)
- Kalibrierzertifikat - *falls bestellt*
- Gebrauchsanleitung

Zusätzlich mit dem automatischen Elcometer 3000 Clemen-Ritzhärteprüfer gelieferte Artikel

- 1-kg-Gewicht (x4)
- Netzkabel: UK, EU und US

Der Elcometer 3000 Clemen-Ritzhärteprüfer ist in Sperrholz und/oder robustem Karton und Schaumstoff verpackt. Es wird empfohlen, dieses Verpackungsmaterial für einen eventuellen Transport des Geräts aufzubewahren und wiederzuverwenden. Falls die Verpackung entsorgt wird, stellen Sie bitte sicher, dass dies auf umweltverträgliche Weise erfolgt. Lassen Sie sich von Ihrer örtlichen Umweltbehörde beraten.

3 SICHER ARBEITEN



Öffnen Sie zur Reduzierung einer Stromschlaggefahr das Gehäuse des automatischen Elcometer 3000 Clemen-Ritzhärteprüfers nicht. Es befinden sich keine Teile im Inneren, die vom Nutzer selbst gewartet werden können. Die Garantie erlischt, wenn das Gerät geöffnet wurde.



Setzen Sie den automatischen Clemen-Ritzhärteprüfer zur Reduzierung einer Brand- oder Stromschlaggefahr keinem Regen oder übermäßiger Feuchtigkeit aus.

3 SICHER ARBEITEN (Fortsetzung)

Die IEC-Buchse ist durch eine Sicherung geschützt – siehe Abschnitt 10, "Technische Daten" auf Seite de-10 für die Sicherungsnennwerte.

Der britische Netzstromstecker ist mit einer Sicherung ausgestattet. Vergewissern Sie sich beim Austausch dieser Sicherung, dass eine Sicherung mit den korrekten Nennwerten verwendet wird – siehe Abschnitt 10, "Technische Daten" auf Seite de-10 für Details.

Elcometer empfiehlt die Verwendung von Netzstromkabeln mit Zulassung einer anerkannten Prüfstelle. Beispiele geeigneter Netzstromkabel sind UK-, EUR-Kabel H05RN-F 3G 0,75mm 2 Adern, US SJT 18AWG/3C-Kabel.

4 ERSTE SCHRITTE

4.1 INSTALLATION



Der automatische Elcometer 3000 Clemen-Ritzhärteprüfer ist schwer; zum manuellen Heben des Prüfers sind mindestens zwei Personen erforderlich.

Stellen Sie den Elcometer 3000 auf eine ebene, waagrechte Fläche mit einer ausreichenden Tragkraft für die Belastung durch das Gerät. Der automatische Elcometer 3000 Clemen-Ritzhärteprüfer hat verstellbare Füße zum Nivellieren des Gerätes.

4.2 EIN-/AUSSCHALTEN DES AUTOMATISCHEN CLEMEN-RITZHÄRTEPRÜFERS

Drücken Sie die Ein/Aus-Taste, um das Gerät einzuschalten. Die Taste leuchtet, wenn das Gerät eingeschaltet ist. Drücken Sie die Ein/Aus-Taste nochmals, um das Gerät wieder auszuschalten.

5 PRÜFUNG EINER PROBE – MANUELLER CLEMEN-RITZHÄRTEPRÜFER

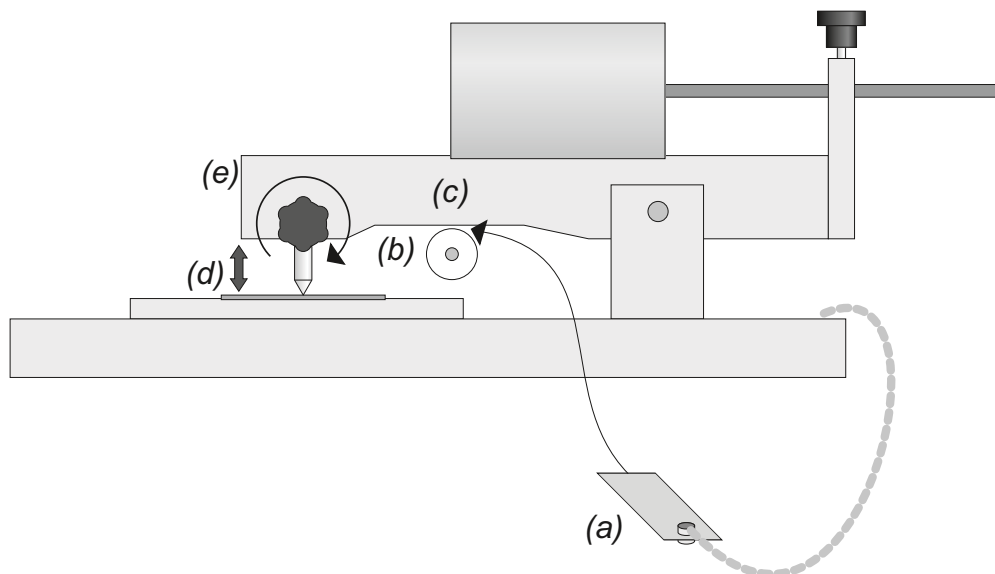
Vor der Prüfung einer Probe muss die Werkzeughöhe eingestellt werden.

5.1 EINSTELLEN DER WERKZEUGHÖHE

- 1 Legen Sie eine Probe auf den Probenstisch und bringen Sie sie durch Drehen des Klemmgriffs in Position.
- 2 Heben Sie den Lastarm hoch und halten Sie ihn in dieser Position, verschieben Sie den Probenstisch, bis die Probe mittig unter dem Werkzeug liegt.

5 PRÜFUNG EINER PROBE – MANUELLER CLEMEN-RITZHÄRTEPRÜFER

- 3 Legen Sie die Metalleinlage (a) zwischen das Nylonrad (b) und den Lastarm (c) und senken Sie dann den Lastarm ab.
- 4 Stellen Sie die Werkzeughöhe (d) ein, bis das Werkzeug die Oberfläche der Probe berührt, und ziehen Sie dann das gerändelte Rad (e) im Uhrzeigersinn fest, um das Werkzeug in seiner Position zu verriegeln.



- 5 Heben Sie den Lastarm an, entfernen Sie die Metalleinlage und schieben Sie den Probenstisch in seine Startposition zurück.
- 6 Verschieben Sie das Gewicht am Lastarm, bis die erforderliche Last eingestellt ist, und ziehen Sie das gerändelte Rad fest, um das Gewicht in seiner Position zu halten. Die Last ist von 0 bis 2 kg (0 bis 4,4 lb) einstellbar.

Das Gerät und die Probe sind nun zur Durchführung der Prüfung bereit.

5.2 PRÜFVERFAHREN

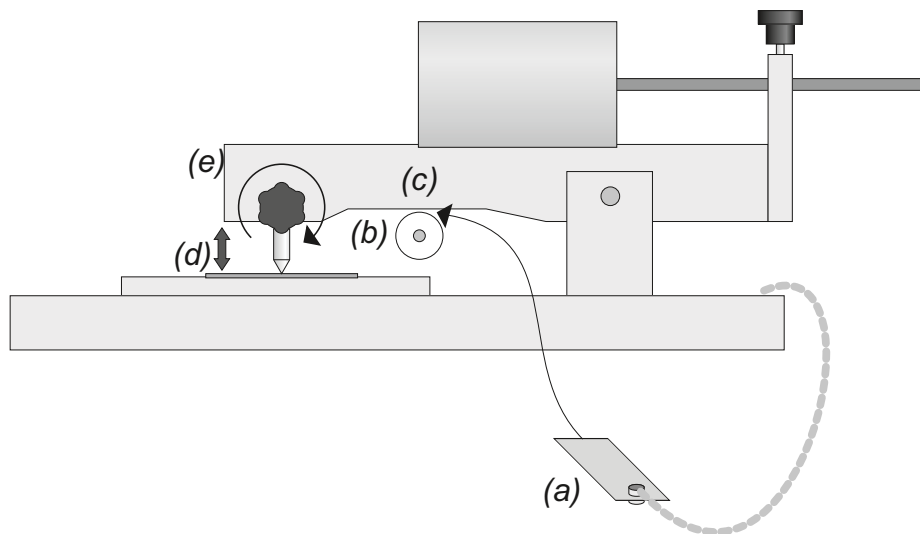
- 1 Ziehen Sie den Probenstisch mit einer einzigen gleichmäßigen Bewegung auf Sie zu; die standardmäßige Bewegungsgeschwindigkeit beträgt ca. 30 mm/s (1,2"/s).
- 2 Das Werkzeug wird zu Beginn der Prüfung auf die Probe abgesenkt und am Ende der Prüfung wieder abgehoben.
- 3 Untersuchen Sie die Probe entsprechend den Anforderungen der jeweiligen Prüfnorm auf Beschädigung. Wiederholen Sie die Prüfung nach Bedarf mit einer jeweils höheren Last.

6 PRÜFUNG EINER PROBE – AUTO. CLEMEN- RITZHÄRTEPRÜFER

Vor der Prüfung einer Probe muss die Werkzeughöhe eingestellt werden.

6.1 EINSTELLEN DER WERKZEUGHÖHE

- 1 Schließen Sie das Gerät an der Netzstromversorgung an und drücken Sie die Ein-/Aus-Taste, um es einzuschalten.
- 2 Legen Sie eine Probe auf den Proben Tisch und bringen Sie sie durch Drehen des Klemmgriffs in Position.
- 3 Stellen Sie die Höhe des Werkzeugs auf seine obere Position über der Probe ein.
- 4 Drücken Sie die Start-Taste und unmittelbar danach die Ein/Aus-Taste, während das Werkzeug an einem beliebigen Ende des Tisches positioniert ist. Dabei wird der Lastarm in der Nähe des Mittelpunkts angehalten.
- 5 Legen Sie die Metalleinlage (a) zwischen das Nylonrad (b) und den Lastarm (c) und senken Sie dann den Lastarm ab.
- 6 Stellen Sie die Werkzeughöhe (d) ein, bis das Werkzeug die Oberfläche der Probe berührt, und ziehen Sie dann das gerändelte Rad (e) im Uhrzeigersinn fest, um das Werkzeug in seiner Position zu verriegeln.



- 7 Heben Sie den Lastarm an, entfernen Sie die Metalleinlage und drücken Sie die Ein/Aus-Taste, während Sie den Lastarm hochhalten, und drücken Sie dann die Start-Taste, um das Werkzeug an seine Startposition zu bringen.
 - ▶ Das Hochhalten des Lastarms während der Bewegung des Werkzeugs an seine Startposition verhindert eine Beschädigung der Probenoberfläche, des Werkzeugs und des Proben tisches..
- 8 Verschieben Sie das Gewicht am Lastarm, bis die erforderliche Last eingestellt ist, und ziehen Sie das gerändelte Rad fest, um das Gewicht in seiner Position zu halten. Die Last ist mithilfe des Gleitgewichts von 0 bis 1,5 kg (0 bis 3,3 lb) einstellbar.

6 PRÜFUNG EINER PROBE – AUTO. CLEMEN- RITZHÄRTEPRÜFER

Verwenden Sie für Lasten zwischen 1,5 und 5 kg (3,3 und 11 lb) die beiliegenden zusätzlichen 1-kg-Gewichte (2,2 lb). Bringen Sie die erforderliche Anzahl von Gewichten am senkrechten Stab am Lastarm an, um das korrekte Gewicht zu erhalten. Wenn zum Beispiel ein Gewicht von 3,5 kg (7,7 lb) erforderlich ist, bringen Sie drei der 1-kg-Gewichte (2,2 lb) an der senkrechten Stange an und schieben das Gewicht zu der 0,5-kg-Markierung (1,1 lb) der Skala.

Das Gerät und die Probe sind nun zur Durchführung der Prüfung bereit.

6.2 PRÜFVERFAHREN



Halten Sie während der Verwendung Ihre Finger vom Mechanismus entfernt.

- 1 Drücken Sie die Start-Taste. Das Werkzeug wird zu Beginn der Prüfung in Bewegung gesetzt und auf die Probe abgesenkt. Am Ende der Prüfung wird es wieder abgehoben und stoppt dann automatisch.
- 2 Untersuchen Sie die Probe entsprechend den Anforderungen der jeweiligen Prüfnorm auf Beschädigung. Wiederholen Sie die Prüfung nach Bedarf mit einer jeweils höheren Last.

Die vollständige Zerstörung eines Farbfilms auf einer metallischen Probe erfolgt, wenn das Voltmeter 10 V bis 12 V anzeigt und die Start-Taste blinkt (der elektrische Detektor spricht nur auf metallische Proben an, deren Rückseite nicht beschichtet ist).

6.3 PRÜFUNG VON DICKEN PROBEN

Der automatische Elcometer 3000 Clemen-Ritzhärteprüfer ist in seiner Grundausstattung zur Prüfung von bis zu 3 mm (0,12“) dicken Proben verwendbar. Ein Adaptersatz zur Prüfung von bis zu 20 mm (0,8“) dicken Proben ist als optionales Zubehör erhältlich.

Der Adaptersatz umfasst die unten aufgelisteten Artikel. Siehe Abbildung 1 auf Seite de-8 für die Position der Teile.

Teil	Beschreibung	Menge
A	Lastarm-Distanzstück: 55 x 39 x 5 mm	3
B	Probenklemmen-Distanzstück: 35 x 30 x 12 mm	1
C	Höhenmesser für Rad: 5 und 15 mm	1
	Höhenmesser für Rad: 10 und 20 mm	1

6 PRÜFUNG EINER PROBE – AUTO. CLEMEN- RITZHÄRTEPRÜFER

Teil	Beschreibung	Menge
D	Sechskantschlüssel; 3 mm	1
E	Schraube M4 x 20 für Lastarm	4 Sätze
F	Schraube M4 x 25 für Probenklemme	2 Sätze
G	Höheneinstellrad	1



Bringen Sie die Teile entsprechend den Empfehlungen in der folgenden Tabelle an.

Probendicke		5-mm-Distanzstücke für Lastarm (Menge)	12-mm-Distanzstück für Probenklemme	Höhenmesser für Rad
mm	Zoll			
0,5 - 5	0,02 - 0,2	0	Nicht erforderlich	5mm
5 - 10	0,2 - 0,4	1	Nicht erforderlich	10mm
10 - 15	0,4 - 0,6	2	Erforderlich	15mm
15 - 20	0,6 - 0,8	3	Erforderlich	20mm

Hinweis:

- 1) Bringen Sie die Lastarmbasis und Probenklemme mit Schrauben der geeigneten Länge an den Distanzstücken an (Teile E und F oben).
- 2) Stellen Sie die Höhe des Nylonrads mithilfe des Höhenmessers (Teil C oben) ein und ziehen Sie dann das gerändelte Rad fest, um es in Position zu halten.

7 ERSATZTEILE UND ZUBEHÖR

7.1 KUGELWERKZEUG

Jeder Elcometer 3000 wird standardmäßig mit einem kugelförmigen Werkzeug aus Wolframkarbid mit einem Durchmesser von 1 mm (0,04“) geliefert.

Das kugelförmige Werkzeug wird mit fortgesetztem Gebrauch verfahrensbedingt verschlissen. Ersatz-/Austauschwerkzeuge sind bei Elcometer oder Ihrem örtlichen Elcometer-Händler erhältlich.

Beschreibung	Bestellnummer
Kugelförmiges Wolframkarbidwerkzeug: 1 mm (0,04“)	KT003000P021

7.2 SCHNEIDWERKZEUG FÜR RITZPRÜFUNGEN

Das als optionales Zubehör erhältliche Schneidwerkzeug resultiert in einem deutlich aggressiveren Anreißen als das mit jedem Gerät gelieferte kugelförmige Standardwerkzeug. Folgen Sie bei der Verwendung des Schneidwerkzeugs demselben Einstell- und Prüfverfahren wie für das kugelförmige Standardwerkzeug.

Beschreibung	Bestellnummer
Wolframkarbid-Schneidwerkzeug: 2 mm (0,08“)	KT003000N001

7.3 ADAPTERSATZ

Der Adaptersatz ist als optionales Zubehör für den automatischen Clemen-Ritzhärteprüfer erhältlich und ermöglicht die Prüfung von bis zu 20 mm (0,8“) dicken Proben – siehe Abschnitt 6.3 ‚Prüfung von dicken Proben‘ auf Seite de-7 für weitere Einzelheiten.

Beschreibung	Bestellnummer
Adaptersatz von 5 - 20 mm/0,02 - 0,8“	KT003000N015

8 PFLEGE UND WARTUNG

Die Oberseite des Geräts um den Probenbereich sollte regelmäßig mit einem trockenen Tuch saubergewischt werden.

Der Elcometer 3000 enthält keine durch den Benutzer wartbare Komponenten. Im unwahrscheinlichen Fall eines Defekts sollte das Prüfgerät an Ihren örtlichen Elcometer-Händler oder direkt an Elcometer eingeschendet werden.

Die Garantie erlischt, wenn das Gerät geöffnet wurde.

9 GARANTIE

Der Elcometer 3000 ist durch eine 12-monatige Garantie gegen Fertigungsfehler geschützt, die Kontamination und Verschleiß ausschließt.

Verbrauchsmaterialien und Zubehör, einschließlich kugelförmiger Werkzeuge und Schneidwerkzeuge und anderes mehr, sind von der Garantie ausgeschlossen.

10 TECHNISCHE DATEN

10.1 MANUELLER ELCOMETER 3000 CLEMEN-RITZHÄRTEPRÜFER	
Lastbereich	0 - 2kg (0 - 4,4lb)
Probengröße	75 x 150mm (3 x 6")
Probendicke	0,5 - 3mm (0,02 - 0,12")
Abmessungen	410 x 200 x 155mm (16,1 x 7,9 x 6,1")
Gewicht	6kg (13,2lb)
Verwendbar gemäß: AS/NZS 1580.403.1, BS 3900-E2, DIN 53799, ECCA T12, EN 13523-12, ISO 1518-1:2011	

10.2 AUTOMATISCHER ELCOMETER 3000 CLEMEN-RITZHÄRTEPRÜFER		
Lastbereich	0 - 5kg (0 - 11lb)	
Probengröße	75 x 150mm (3 x 6")	
Probendicke	Standard:	0,5 - 3mm (0,02 - 0,12")
	Erweitert^a:	5 - 20mm (0,2 - 0,8")
Betriebsspannung	UK / EU:	230V AC; 0.1A; 50Hz
	US:	120V AC; 0.2A; 60Hz
Transiente Überspannung	Kategorie II	
Sicherungs-nennwert	Stromeingang:	1 x T2AH250V
	Gleichstrom, Sicherung^b:	1 x T315MAH250V
	Britischer Stecker:	1 x T3AH250V
Betriebstemperatur (Umgebungs-luft)	5 bis 40°C (41 bis 104°F)	
Transport- und Lagertemperatur	-10 bis 55°C (14 bis 131°F)	
Feuchtigkeitsbereich	Eine relative Feuchte von 80% bei bis zu 31°C (88°F), linear abfallend auf 50% bei 40°C (104°F), darf nicht überschritten werden.	
<i>Fortsetzung auf Seite de-11</i>		

^a Bei Verwendung des Adaptersatzes – siehe Abschnitt 6.3 ‚Prüfung von dicken Proben‘ auf Seite de-7.

^b Über dem Stromeingang angebracht.

10 TECHNISCHE DATEN (Fortsetzung)

10.2 ELCOMETER 3000 AUTOMATISCHER CLEMEN-RITZHÄRTEPRÜFER	
Verschmutzungsgrad	2
IP-Schutzgrad des Gehäuses	IP20
Abmessungen	460 x 280 x 330mm (18 x 11 x 13")
Gewicht	20kg (44lb)
Hinweis: Für den Gebrauch in Innenräumen in Höhenlagen bis zu 2000 m (6562 ft). Schwankungen der Netzstromversorgung bis zu 10 % der Nennspannung. Zeitweilige in der Versorgung auftretende Überspannungen.	
Verwendbar gemäß: AS/NZS 1580.403.1, BS 3900-E2, DIN 53799, ECCA T12, EN 13523-12, ISO 1518-1:2011, JIS K 5600-5-5	

11 RECHTLICHE HINWEISE UND BEHÖRDLICHE INFORMATIONEN

Konformitätserklärung:

Der automatische Elcometer 3000 Clemen-Ritzhärteprüfer erfüllt die Anforderungen der folgenden EU-Richtlinien:
2006/42/EC Maschinenrichtlinie, geändert durch 2009/127/EC und 2014/33/EU
2014/30/EU Elektromagnetische Verträglichkeit

Die Konformitätserklärung steht unter der folgenden Adresse zum Download bereit:

www.elcometer.com/images/stories/PDFs/Datasheets/Declaration_of_Conformity/German/DoC_3000_Motorised.pdf

Dieses Produkt ist ein ISM-Gerät der Klasse B, Gruppe 1 gemäß CISPR 11.

Produkt der Klasse B: Es ist für den Gebrauch in Wohnbereichen und in Bereichen geeignet, die direkt mit einem Niederspannungs-Stromversorgungsnetz verbunden sind, das Gebäude für den häuslichen Gebrauch versorgt.

ISM-Produkt der Gruppe 1: Ein Produkt, in dem beabsichtigt leitfähig gekoppelte Funkfrequenzenergie erzeugt und/oder verwendet wird, die für die interne Funktion der Ausrüstung selbst erforderlich ist.

HINWEIS: Dieses Gerät wurde getestet und als konform mit den Grenzwerten für ein digitales Gerät der Klasse B gemäß Teil 15 der FCC-Richtlinien befunden. Diese Grenzwerte sind für die Bereitstellung eines angemessenen Schutzes gegen schädliche Interferenzen in häuslichen Einrichtungen ausgelegt. Dieses Gerät erzeugt und verwendet Funkfrequenzenergie und kann diese ausstrahlen. Bei seiner nicht den Anleitungen entsprechenden Installation und Verwendung kann es schädliche Interferenzen der Funkkommunikation verursachen. Es kann jedoch nicht garantiert werden, dass in einer bestimmten Einrichtung

keine Interferenzen auftreten werden. Falls dieses Gerät schädliche Interferenzen des Rundfunk- oder Fernsehempfangs verursacht, was durch Aus- und Einschalten des Geräts ermittelt werden kann, ist der Benutzer gehalten, zu versuchen, die Interferenzen anhand einer oder mehrerer der folgenden Maßnahmen zu beheben:

- Empfangsantenne neu ausrichten oder an einem anderen Ort aufstellen.
- Distanz zwischen Gerät und Empfänger vergrößern.
- Gerät an eine Steckdose in einem anderen Stromkreis anschließen als dem vom Empfänger verwendeten.
- Den Rat des Händlers oder eines erfahrenen Rundfunk-/Fernsehtechnikers einholen.

Zur Erfüllung der FCC-Strahlenbelastungsrichtlinien für mobile und Basisstation-Sendegeräte sollte während des Betriebs ein Abstand von mindestens 20 cm zwischen der Antenne dieses Geräts und Personen eingehalten werden. Zur Gewährleistung der Konformität wird ein Betrieb mit einem geringeren als diesem Abstand nicht empfohlen. Die für diesen Sender verwendeten Antennen dürfen nicht am selben Ort wie eine andere Antenne oder ein anderer Sender platziert oder in Verbindung mit diesen betrieben werden.

Nicht ausdrücklich von Elcometer Limited genehmigte Änderungen könnten im Erlöschen der Betriebserlaubnis des Geräts gemäß FCC-Richtlinien resultieren.

elcometer® ist ein eingetragenes Warenzeichen der Elcometer Limited, Edge Lane, Manchester, M43 6BU, Großbritannien und Nordirland.

Alle anderen Handelsmarken sind anerkannt.

Der Elcometer 3000 Clemen-Ritzhärteprüfer ist in Sperrholz und/oder robustem Karton und Schaumstoff verpackt. Es wird empfohlen, dieses Verpackungsmaterial für einen eventuellen Transport des Geräts aufzubewahren und wiederzuverwenden. Falls die Verpackung entsorgt wird, stellen Sie bitte sicher, dass dies auf umweltverträgliche Weise erfolgt. Lassen Sie sich von Ihrer örtlichen Umweltbehörde weiterberaten.

Hauptniederlassung: Elcometer Limited, Edge Lane, Manchester, M43 6BU, Großbritannien und Nordirland.



Guía del usuario

Elcometer 3000

Unidad Clemen motorizada y manual

CONTENIDO

Sección	Página
1 Descripción general	es-2
2 Contenido de la caja	es-3
3 Trabajar de forma segura	es-3
4 Introducción	es-4
5 Comprobación de una muestra - Clemen manual	es-4
6 Comprobación de una muestra - Unidad Clemen motorizada	es-6
7 Repuestos y accesorios	es-9
8 Conservación y mantenimiento	es-9
9 Declaración de garantía	es-10
10 Especificaciones técnicas	es-10
11 Avisos legales e información sobre la normativa	es-11



Para despejar cualquier duda, consulte la versión original en inglés.

Dimensiones: Unidad Clemen manual: 410 x 200 x 155mm (16,1 x 7,9 x 6,1 pulgadas)

Unidad Clemen motorizada: 460 x 280 x 330mm (18 x 11 x 13 pulgadas)

Peso: Unidad Clemen manual: 6 kg (13,2 lb)

Unidad Clemen motorizada: 20 kg (44 lb)

© Elcometer Limited 2008 - 2019. Todos los derechos reservados. Este documento ni ningún fragmento del mismo pueden reproducirse, transmitirse, transcribirse, almacenarse (en un sistema de recuperación o de otro tipo) ni traducirse a ningún idioma, en ningún formato ni por ningún medio (ya sea electrónico, mecánico, magnético, óptico, manual o de otro tipo) sin permiso previo y por escrito de Elcometer Limited

1 DESCRIPCIÓN GENERAL

La Unidad Clemen Elcometer 3000, disponible en versiones manual y motorizada, es un instrumento resistente y fácil de usar para evaluar la resistencia al rayado de una superficie revestida. La muestra puede ser de metal, madera, vidrio, plástico o cualquier otro material duro.

Una herramienta que presenta un extremo hemisférico se hace descender gradualmente sobre la superficie de la muestra y se mueve linealmente una distancia de 60 mm (2,4"). La fuerza descendente que ejerce la herramienta sobre la superficie puede ajustarse mediante una pesa deslizante.

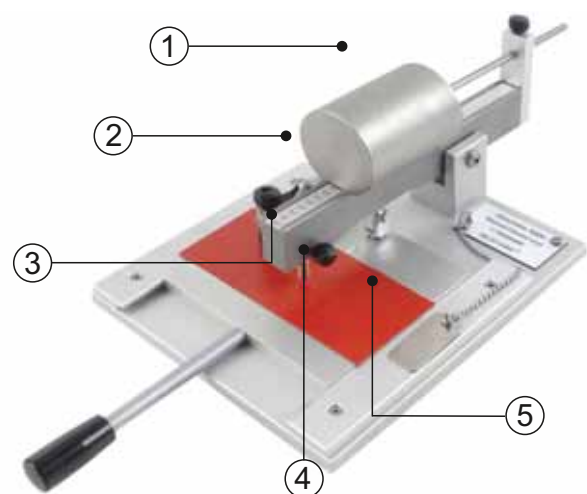
Dependiendo de la finalidad de la prueba y de la fuerza aplicada, se observarán diversos grados de penetración de la herramienta en el revestimiento, desde una marca superficial hasta su total destrucción.

Unidad Clemen manual Elcometer 3000: La muestra se sujeta a una plataforma deslizante que se mueve manualmente.

Unidad Clemen motorizada Elcometer 3000: La muestra se sujeta a una plataforma fija. Al pulsar un botón, la herramienta se desplaza por la muestra y se detiene automáticamente al final de su desplazamiento. El contacto entre la herramienta y la muestra metálica se indica mediante una lámpara y un voltímetro.

1.1 UNIDAD CLEMEN MANUAL

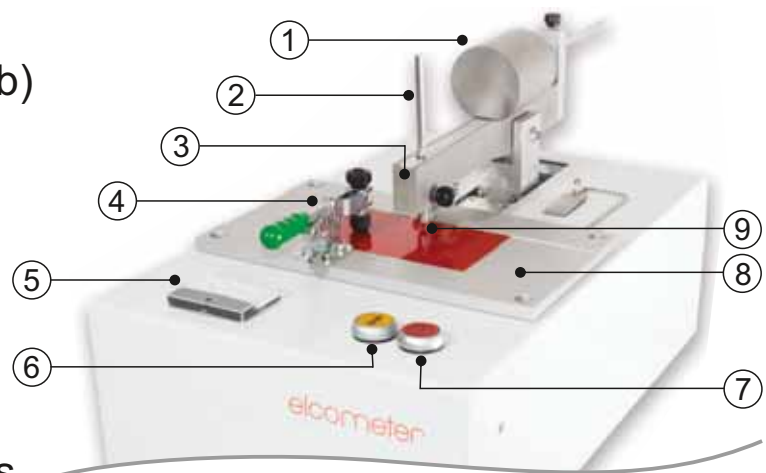
- 1 Pesa
- 2 Abrazadera
- 3 Brazo de carga
- 4 Herramienta
- 5 Plataforma para muestras



1 DESCRIPCIÓN GENERAL (continuación)

1.2 UNIDAD CLEMEN MOTORIZADA

- 1 Pesa
- 2 Soporte para pesas adicionales de 1 kg (2,2 lb)
- 3 Brazo de carga
- 4 Abrazadera
- 5 Voltímetro
- 6 Botón de inicio
- 7 Botón de encendido/apagado
- 8 Plataforma para muestras
- 9 Herramienta



2 CONTENIDO DE LA CAJA

- Unidad Clemen Elcometer 3000
- Herramienta de bola de 1 mm (0,04") en carburo de tungsteno
- Certificado de calibración - *si se solicita*
- Guía del usuario

Artículos adicionales suministrados con la Unidad Clemen motorizada Elcometer 3000

- Pesa de 1 kg (4)
- Cables de corriente: Reino Unido, EUR y EE. UU.

La Unidad Clemen Elcometer 3000 está embalada en madera contrachapada y/o cartón resistente y espuma. Se recomienda conservar este embalaje y reutilizarlo cuando sea preciso transportar el instrumento. Si desecha el embalaje, asegúrese de que lo hace de forma respetuosa con el medio ambiente. Consulte a las autoridades locales en materia medioambiental para obtener información.

3 TRABAJAR DE FORMA SEGURA



Para reducir el riesgo de sufrir una descarga eléctrica, no abra la carcasa de la Unidad Clemen motorizada Elcometer 3000. En su interior no hay ninguna pieza que pueda mantener el usuario. La garantía quedará anulada si se ha abierto el instrumento.



Para reducir el riesgo de fuego o de sufrir una descarga eléctrica, no exponga la Unidad Clemen motorizada Elcometer 3000 a la lluvia ni a una humedad excesiva.

3 TRABAJAR DE FORMA SEGURA (continuación)

La entrada IEC está protegida con un fusible –consulte la sección 10, «Especificación técnica», en la página es-10 para conocer el nominal del fusible.

El conector de corriente para Reino Unido lleva instalado un fusible. Al sustituir este fusible, asegúrese de que utiliza otro con el nominal correcto –consulte la sección 10, «Especificación técnica», en la página es-10 para obtener más detalles.

Elcometer recomienda utilizar cables de alimentación homologados por un organismo de pruebas reconocido. Ejemplos de cables de alimentación adecuados son el cable H05RN-F 3G de 0,75 mm² para Reino Unido y Europa y el cable SJT 18AWG/3C para EE.UU.

4 INTRODUCCIÓN

4.1 INSTALACIÓN



La Unidad Clemen motorizada Elcometer 3000 es un instrumento pesado; hacen falta al menos dos personas para levantarla manualmente.

Coloque el Elcometer 3000 sobre una superficie plana y horizontal que dea apta para soportar la carga del instrumento de comprobación. La Unidad Clemen motorizada Elcometer 3000 presenta unas patas ajustables que pueden utilizarse para nivelar la unidad.

4.2 ENCENDIDO/APAGADO DE LA UNIDAD CLEMEN MOTORIZADA SOLAMENTE

Pulse el botón de encendido/apagado para encender la unidad. El botón se iluminará cuando la unidad esté encendida. Pulse el botón de encendido/apagado de nuevo para apagar la unidad.

5 COMPROBACIÓN DE UNA MUESTRA - UNIDAD CLEMEN MANUAL

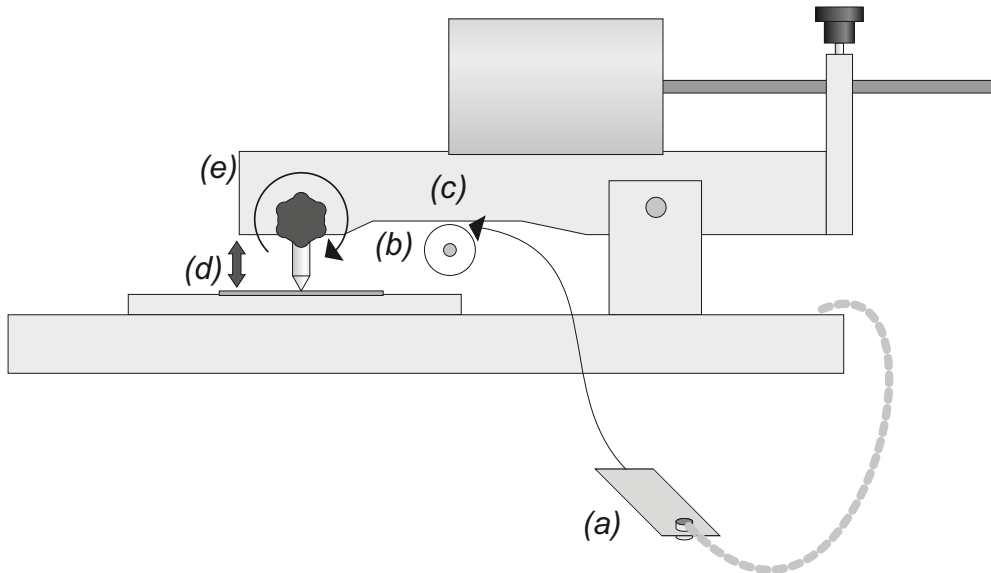
Antes de comprobar una muestra, es necesario ajustar la altura de la herramienta.

5.1 AJUSTE DE LA ALTURA DE LA HERRAMIENTA

- 1 Coloque la muestra sobre la plataforma para muestras y sujétela rotando el mango de la abrazadera.
- 2 Levante el brazo de carga y, manteniéndolo en la posición elevada, deslice la plataforma para muestras hasta que el centro de la muestra esté debajo de la herramienta.

5 COMPROBACIÓN DE UNA MUESTRA - UNIDAD CLEMEN MANUAL

- 3 Inserte la plancha metálica (a) entre la rueda de nailon (b) y el brazo de carga (c) y después baje el brazo de carga.
- 4 Ajuste la altura de la herramienta (d) hasta que toque la superficie de la muestra y luego apriete la rueda estriada (e), girando en sentido horario, para bloquear la herramienta en posición.



- 5 Levante el brazo de carga, retire la plancha metálica y deslice de nuevo la plataforma para muestras hasta su posición inicial.
- 6 Deslice la pesa a lo largo del brazo de carga hasta alcanzar la carga requerida y bloquéela apretando la rueda estriada. Puede ajustarse una carga de entre 0 y 2 kg (de 0 a 4,4 lb).

El instrumento y la muestra están ahora listos para realizar la prueba.

5.2 PROCEDIMIENTO DE PRUEBA

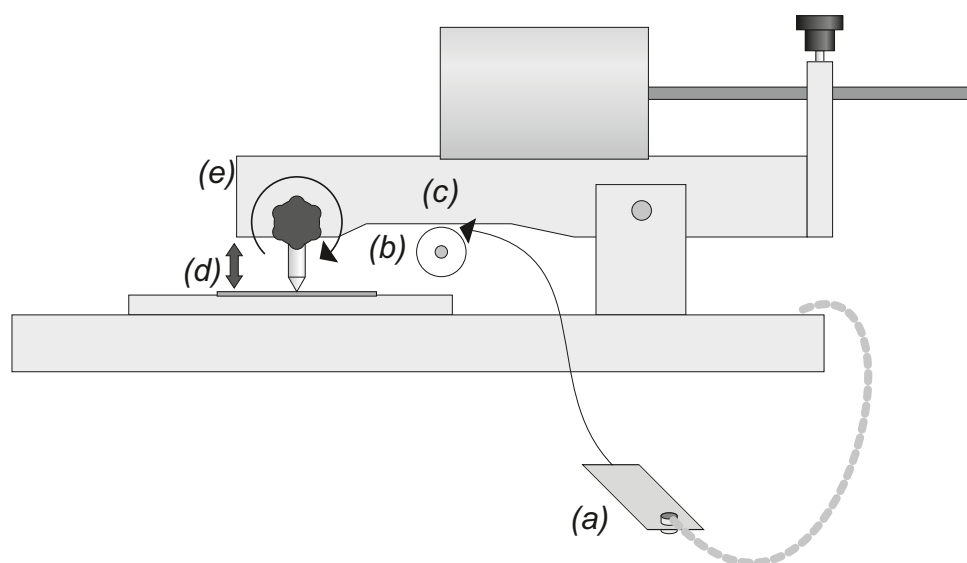
- 1 Tire hacia usted de la plataforma para muestras en un solo movimiento suave; la velocidad de movimiento estándar es de aproximadamente 30 mm/s (1,2"/s).
- 2 La herramienta descenderá sobre la muestra al comienzo de la prueba y subirá al finalizar esta.
- 3 Compruebe si la muestra presenta daños conforme a los requisitos de la norma de prueba. Repita la prueba si es preciso; aumente la carga entre pruebas.

6 COMPROBACIÓN DE UNA MUESTRA - UNIDAD CLEMEN MOTORIZADA

Antes de comprobar una muestra, es necesario ajustar la altura de la herramienta.

6.1 AJUSTE DE LA ALTURA DE LA HERRAMIENTA

- 1 Conecte la unidad a la fuente de alimentación y pulse el botón de encendido/apagado para encender el instrumento.
- 2 Coloque la muestra sobre la plataforma para muestras y sujétela rotando el mango de la abrazadera.
- 3 Ajuste la altura de la herramienta en la posición superior para retirarla de la muestra.
- 4 Con la herramienta situada en uno de los dos extremos, pulse el botón de inicio e, inmediatamente después, el botón de encendido/apagado. Esto hará que el brazo de carga se detenga cerca de la parte central.
- 5 Inserte la plancha metálica (a) entre la rueda de nailon (b) y el brazo de carga (c) y después baje el brazo de carga.
- 6 Ajuste la altura de la herramienta (d) hasta que toque la superficie de la muestra y luego apriete la rueda estriada (e), girando en sentido horario, para bloquear la herramienta en posición.



- 7 Levante el brazo de carga, retire la plancha metálica y, mientras sujeta el brazo de carga, pulse el botón de encendido/apagado seguido del botón de inicio para que la herramienta regrese a su posición de inicio.
 - ▶ Sujetar el brazo de carga mientras la herramienta se desplaza hacia su posición de inicio evita daños en la superficie de la muestra, la herramienta y la plataforma para muestras.
- 8 Deslice la pesa a lo largo del brazo de carga hasta alcanzar la carga requerida y bloquéela apretando la rueda estriada. Puede ajustarse una carga de entre 0 y 1,5 kg (de 0 a 3,3 lb) empleando la pesa deslizante.

6 COMPROBACIÓN DE UNA MUESTRA - UNIDAD CLEMEN MOTORIZADA

Para cargas de entre 1,5 y 5 kg (3,3 y 11 lb), utilice la pesa adicional de 1 kg (2,2 lb) suministrada. Coloque el número requerido de pesas en el eje vertical sobre el brazo de carga para obtener la carga correcta. Por ejemplo, si se necesita una carga de 3,5 kg (7,7 lb), coloque tres de las pesas de 1 kg (2,2 lb) sobre el eje vertical y deslice la pesa hasta la marca de 0,5 kg (1,1 lb) de la escala.

El instrumento y la muestra están ahora listos para realizar la prueba.

6.2 PROCEDIMIENTO DE PRUEBA



Retire los dedos del mecanismo mientras se esté utilizando.

- 1 Pulse el botón de inicio. La herramienta empezará a moverse y descenderá sobre la muestra al comienzo de la prueba, subirá al finalizar la prueba y después se detendrá automáticamente.
- 2 Compruebe si la muestra presenta daños conforme a los requisitos de la norma de prueba. Repita la prueba si es preciso; aumente la carga entre pruebas.

Se observa una destrucción completa de una película de pintura sobre una muestra metálica cuando la aguja del voltímetro indica entre 10 V y 12 V y cuando parpadea el botón de inicio (el dispositivo de detección eléctrica solo funciona con muestras metálicas sin revestimiento en la otra cara).

6.3 COMPROBACIÓN DE MUESTRAS GRUESAS

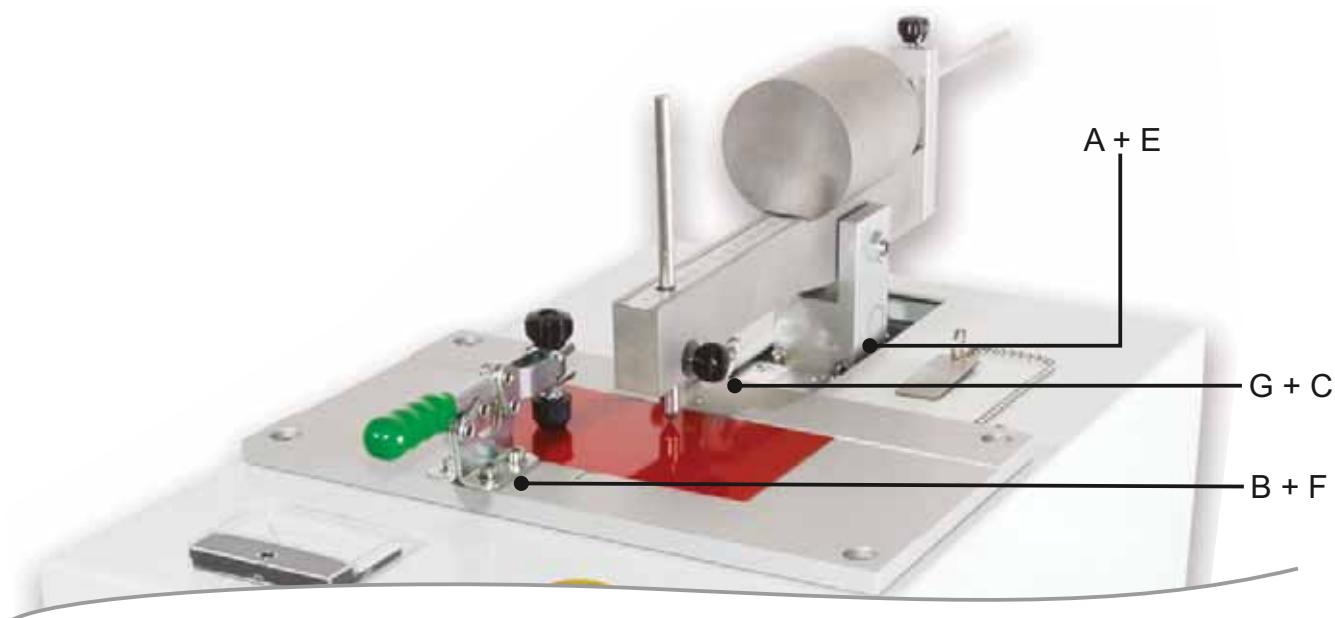
La Unidad Clemen motorizada Elcometer 3000 puede utilizarse tal y como se suministra para comprobar muestras de un grosor máximo de 3 mm (0,12"). Hay disponible un Kit de ajuste que puede adquirirse como accesorio opcional para la comprobación de muestras de hasta 20 mm (0,8") de grosor.

El Kit de ajuste consta de los artículos enumerados a continuación. Consulte la Figura 1, en la página es-8, para conocer la ubicación de las piezas.

Pieza	Descripción	Cant.
A	Espaciador para brazo de carga; 55 x 39 x 5 mm	3
B	Espaciador para abrazadera de muestra; 35 x 30 x 12 mm	1
C	Galga de altura para rueda; 5 y 15 mm	1
	Galga de altura para rueda; 10 y 20 mm	1

6 COMPROBACIÓN DE UNA MUESTRA - UNIDAD CLEMEN MOTORIZADA

Pieza	Descripción	Cant.
D	Llave hexagonal; 3 mm	1
E	20 tornillos M4 para 4 juegos de brazo de carga	4 juegos
F	25 tornillos M4 para 2 juegos de abrazadera de muestra	2 juegos
G	Rueda de altura ajustable	1



Coloque las piezas siguiendo las recomendaciones indicadas en la siguiente tabla.

Grosor de la muestra		Espaciadores de 5 mm para la base del brazo de carga (cant.)	Espaciador de 12 mm para la abrazadera de muestra	Galga de altura para rueda
mm	pulgadas			
0,5 - 5	0,02 - 0,2	0	No requerido	5mm
5 - 10	0,2 - 0,4	1	No requerido	10mm
10 - 15	0,4 - 0,6	2	Requerido	15mm
15 - 20	0,6 - 0,8	3	Requerido	20mm

Nota:

- 1) Coloque la base del brazo de carga y la abrazadera de muestra en los espaciadores empleando tornillos de una longitud adecuada (Piezas E y F anteriores).
- 2) Utilice la galga de altura (pieza C anterior) para ajustar la altura de la rueda de nailon y después apriete la rueda estriada para bloquear.

7 REPUESTOS Y ACCESORIOS

7.1 HERRAMIENTA DE BOLA

Cada Elcometer 3000 se suministra de serie con una herramienta de bola de 1 mm (0,04 pulg.) en carburo de tungsteno.

Debido a la naturaleza de la prueba, la herramienta de bola se desgastará con el uso. Pueden adquirirse herramientas de repuesto/sustitución de Elcometer o de su suministrador local de productos Elcometer.

Descripción	Número de pieza
Herramienta de bola de 1 mm (0,04 pulg.) en carburo de tungsteno	KT003000P021

7.2 HERRAMIENTA DE CORTE PARA PRUEBA DE RAYADO

La herramienta de corte, que puede adquirirse como accesorio opcional, proporciona un rayado mucho más agresivo que la herramienta de bola suministrada de serie con cada instrumento.

Cuando utilice la herramienta de corte, siga los mismos procedimientos de ajuste y prueba indicados para la herramienta de bola suministrada de serie.

Descripción	Número de pieza
Herramienta de corte de 2 mm (0,08 pulg.) en carburo de tungsteno	KT003000N001

7.3 KIT DE AJUSTE

El Kit de ajuste, que puede adquirirse como accesorio opcional de la Unidad Clemen motorizada Elcometer 3000, permite comprobar muestras de hasta 20 mm (0,8") de grosor -consulte la sección 6.3, «Comprobación de muestras gruesas», en la página es-7 para obtener más detalles.

Descripción	Número de pieza
Kit de ajuste de 5 - 20 mm/0,02 - 0,8 pulg.	KT003000N015

8 CONSERVACIÓN Y MANTENIMIENTO

La parte superior del instrumento, en torno al área de las muestras, deberá limpiarse regularmente con un paño seco.

El Elcometer 3000 no contiene componentes que pueda reparar el usuario. En el caso improbable de que se produzca un fallo, el instrumento deberá devolverse al proveedor local de Elcometer o directamente a Elcometer.

La garantía quedará anulada si se ha abierto el instrumento.

9 DECLARACIÓN DE GARANTÍA

El Elcometer 3000 se suministra con una garantía de 12 meses para defectos de fabricación que excluye contaminación y desgaste.

Las piezas consumibles de sustitución y los accesorios, incluidos, entre otros, las herramientas de bola y de corte, no están incluidas en la garantía.

10 ESPECIFICACIONES TÉCNICAS

10.1 UNIDAD CLEMEN MANUAL ELCOMETER 3000	
Intervalo de carga	0 - 2 kg (0 - 4,4 lb)
Tamaño de la muestra	75 x 150 mm (3 x 6 pulg.)
Grosor de la muestra	0,5 - 3 mm (0,02 - 0,12 pulg.)
Dimensiones	410 x 200 x 155 mm (16,1 x 7,9 x 6,1 pulg.)
Peso	6 kg (13,2 lb)
Cumple las siguientes normas: AS/NZS 1580.403.1, BS 3900-E2, DIN 53799, ECCA T12, EN 13523-12, ISO 1518-1:2011	

10.2 UNIDAD CLEMEN MOTORIZADA ELCOMETER 3000		
Intervalo de carga	0 - 5 kg (0 - 11 lb)	
Tamaño de la muestra	75 x 150 mm (3 x 6 pulg.)	
Grosor de la muestra	Estándar:	0,5 - 3 mm (0,02 - 0,12 pulg.)
	Ampliado ^a :	5 - 20 mm (0,2 - 0,8 pulg.)
Tensión de funcionamiento	RU/UE:	230V AC; 0.1A; 50Hz
	EE. UU.:	120V AC; 0.2A; 60Hz
Sobretensión transitoria	Categoría II	
Nominal del fusible	Entrada de mentación:	1 x T2AH250V
	Fusible de CC ^b :	1 x T315MAH250V
	Conector para RU:	1 x T3AH250V
Temperatura de funcionamiento (aire ambiente)	De 5 a 550°C (De 41 a 104°F)	
Temperatura de transporte y almacenamiento	De -10 a 55°C (De 14 a 131°F)	
Rango de humedad	No deberá superar el 80% de humedad relativa hasta 31°C (88°F), reduciéndose linealmente hasta el 50% a 40°C (104°F).	
<i>continúa en la página es-11</i>		

^a Utilización del Kit de ajuste opcional - consulte la sección 6.3, «Comprobación de muestras gruesas», en la página es-7.

^b Situado encima de la entrada de alimentación.

10 ESPECIFICACIONES TÉCNICAS (continuación)

10.2 UNIDAD CLEMEN MOTORIZADA ELCOMETER 3000 (continuación)	
Grado de contaminación	2
Calificación IP de la carcasa	IP20
Dimensiones	460 x 280 x 330 mm (18 x 11 x 13 pulg.)
Peso	20 kg (44 lb)
<p>Nota: Solo para uso en interiores a una altitud de hasta 2000 m (6562 pies). Fluctuaciones del suministro eléctrico de hasta el 10% de la tensión nominal. Sobrecargas de tensión temporales en el suministro.</p>	
<p>Cumple las siguientes normas: AS/NZS 1580.403.1, BS 3900-E2, DIN 53799, ECCA T12, EN 13523-12, ISO 1518-1:2011, JIS K 5600-5-5</p>	

11 AVISOS LEGALES E INFORMACIÓN SOBRE LA NORMATIVA

Declaración de conformidad:

La Unidad Clemen motorizada Elcometer 3000 cumple los requisitos estipulados en las siguientes directivas de la UE:

2006/42/EC Directiva para Máquinas, modificado por las directivas 2009/127/CE y 2014/33/UE

2014/30/EU Compatibilidad Electromagnética

La Declaración de conformidad puede descargarse de:

www.elcometer.com/images/stories/PDFs/Datasheets/Declaration_of_Conformity/Spanish/DoC_3000_Motorised.pdf

Este producto es un equipo de Clase B, Grupo 1 ISM, conforme a las normas CISPR 11.

Producto de clase B: Es apto para su uso en entornos domésticos y establecimientos conectados directamente a una red de suministro de baja tensión que suministre a edificios dedicados a uso residencial.

Producto de Grupo 1 ISM: Producto que genera y/o utiliza intencionadamente energía de radiofrecuencia de acoplamiento conductivo necesaria para el funcionamiento interno del propio equipo.

NOTA: Este equipo ha sido sometido a pruebas que confirman su cumplimiento de los límites para dispositivos digitales de clase B, conforme a la parte 15 de las normas de la FCC. Estos límites están diseñados para proporcionar una protección razonable frente a interferencias dañinas en instalaciones domésticas. Este equipo genera, utiliza y puede irradiar energía de radiofrecuencia, por lo que, si no se instala y utiliza conforme a las instrucciones, puede provocar interferencias dañinas en comunicaciones de radio. No obstante, no existe garantía alguna de que no se produzcan interferencias en instalaciones concretas. En el caso de que este equipo provoque interferencias dañinas en la recepción de radio o televisión, lo que puede determinarse encendiendo y apagando el equipo, el usuario deberá intentar corregir dichas interferencias adoptando una o varias de las siguientes medidas:

- Reoriente o cambie de lugar la antena receptora.
- Aumente la distancia entre el equipo y el receptor.
- Conecte el equipo a una toma de un circuito distinto al del receptor.
- Consulte a su proveedor o a un técnico con experiencia en radio / TV para obtener ayuda.

Para cumplir los requisitos de exposición a radiofrecuencias de la FCC para dispositivos móviles y de transmisión de estación base, debe mantenerse una separación mínima de 20 cm entre la antena de este dispositivo y las personas durante su utilización. Para garantizar dicho cumplimiento, no se recomienda su utilización a una distancia inferior a ésta. La(s) antena(s) utilizada(s) para este transmisor no debe(n) situarse ni utilizarse junto a otra antena o transmisor.

Las modificaciones realizadas sin aprobación expresa de Elcometer Limited podrían anular la autorización concedida al usuario para utilizar el equipo conforme a las normas de la FCC.

elcometer® es una marca comercial registrada de Elcometer Limited, Edge Lane, Manchester, M43 6BU. Reino Unido

Todas las demás marcas comerciales se dan por reconocidas.

La Unidad Clemen Elcometer 3000 está embalada en madera contrachapada y/o cartón resistente y espuma. Se recomienda conservar este embalaje y reutilizarlo cuando sea preciso transportar el instrumento. Si desecha el embalaje, asegúrese de que lo hace de forma respetuosa con el medio ambiente. Consulte a las autoridades locales en materia medioambiental para obtener información.

Sede central: Elcometer Limited, Edge Lane, Manchester, M43 6BU. Reino Unido



Gebruikershandleiding

Elcometer 3000
Gemotoriseerde en handbediende
Clemen-eenheid

INHOUDSOPGAVE

Sectie	Pagina
1 Overzicht	nl-2
2 Doosinhoud	nl-3
3 Veilig werken	nl-3
4 Aan de slag	nl-4
5 Een monster testen – handbediende Clemen-eenheid	nl-4
6 Een monster testen – gemotoriseerde Clemen-eenheid	nl-6
7 Reserveonderdelen & accessoires	nl-9
8 Verzorging & onderhoud	nl-9
9 Garantieverklaring	nl-10
10 Technische specificaties	nl-10
11 Juridische kennisgevingen & wettelijke informatie	nl-11



Raadpleeg de originele Engelse versie om twijfel uit te sluiten.

Afmetingen: Handbediende Clemen-eenheid: 410 x 200 x 155mm (16.1 x 7.9 x 6.1")
Gemotoriseerde Clemen-eenheid: 460 x 280 x 330mm (18 x 11 x 13")

Gewicht: Handbediende Clemen-eenheid: 6kg (13.2lb)
Gemotoriseerde Clemen-eenheid: 20kg (44lb)

© Elcometer Limited 2008 - 2019 Alle rechten voorbehouden. Niets van dit document mag worden gereproduceerd, overgedragen, getranscribeerd, opgeslagen (in een retrievalsysteem of anderszins) of vertaald in enige taal, in enige vorm of door enig middel (elektronisch, mechanisch, magnetisch, optisch, handmatig of anderszins) zonder de voorafgaande schriftelijke toestemming van Elcometer Limited.

1 OVERZICHT

De Elcometer 3000 Clemen-eenheid is een robuust en eenvoudig te gebruiken instrument voor het evalueren van de krasbestendigheid van een gecoat oppervlak. De eenheid is verkrijgbaar in zowel een handbediende als gemotoriseerde versie. Het monster kan van metaal, hout, glas, plastic of andere harde materialen zijn.

Een tool met een halfronde kogel wordt geleidelijk neergelaten op het oppervlak van een monster en er in een rechte lijn overheen getrokken over een afstand van 60 mm (2,4"). De neerwaartse kracht die de tool uitoefent op het oppervlak is instelbaar middels een verschuifbaar gewicht.

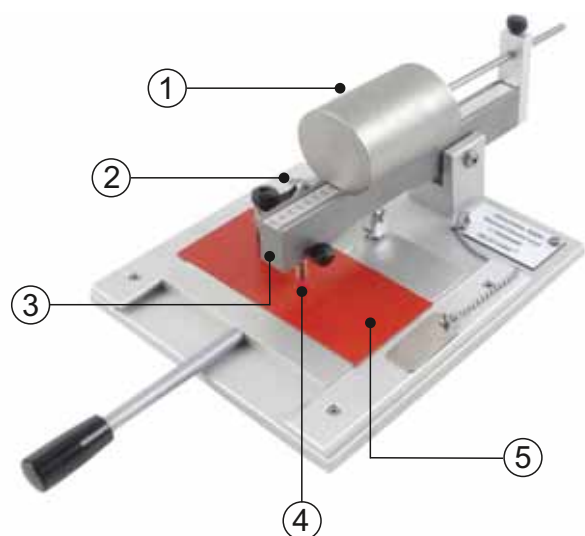
Afhankelijk van het doel van de test en de uitgeoefende druk, kan de coatingpenetratie worden vastgesteld, variërend van een oppervlakkig spoor tot volledige destructie van de coating.

Elcometer 3000 handbediende Clemen-eenheid: Het monster wordt vastgeklemd op een verschuifbaar platform dat met de hand wordt bediend.

Elcometer 3000 gemotoriseerde Clemen-eenheid: Het monster wordt vastgeklemd op een vast platform. Met een druk op de knop beweegt de tester de tool over het monster en stopt automatisch aan het einde van zijn gang. Contact tussen de tool en een metalen monster wordt aangegeven door een lamp en een voltmeter.

1.1 MANUAL CLEMEN UNIT

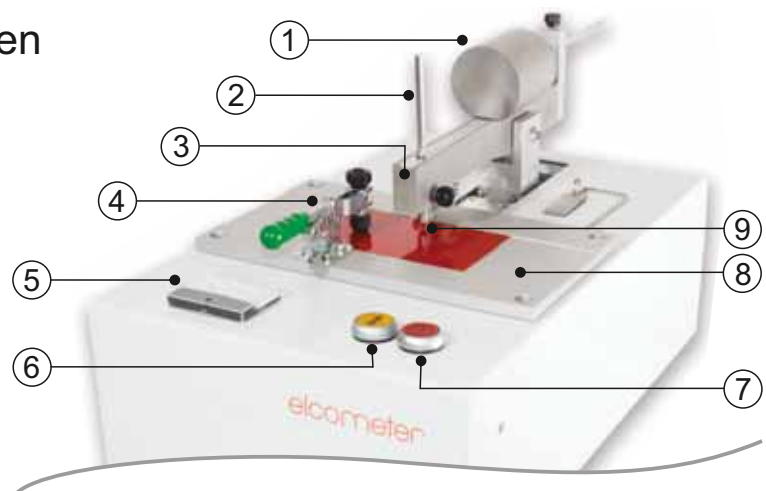
- 1 Gewicht
- 2 Klem
- 3 Lastbalk
- 4 Tool
- 5 Monsterplatform



1 OVERZICHT (vervolg)

1.2 GEMOTORISEERDE CLEMEN-EENHEID

- 1 Gewicht
- 2 Steun voor extra gewichten van 1 kg (2,2 lb.)
- 3 Lastbalk
- 4 Klem
- 5 Voltmeter
- 6 Startknop
- 7 Aan/uit-knop
- 8 Monsterplatform
- 9 Tool



2 DOOSINHOUD

- Elcometer 3000 Clemen-eenheid
- Wolframcarbide kogeltool; 1 mm (0,04")
- Kalibratiecertificaat - *iindien besteld*
- Gebruikershandleiding

Extra items meegeleverd bij de Elcometer 3000 gemotoriseerde Clemen-eenheid

- Gewicht 1 kg (4x)
- Voedingskabels: VK, EUR & VS

De Elcometer 3000 Clemen-eenheid is verpakt in een verpakking van multiplex en/of stevig karton en schuimmateriaal. Het is raadzaam om het verpakkingsmateriaal te bewaren voor als u het instrument moet vervoeren. Zorg ervoor dat de verpakking milieuvriendelijk wordt afgevoerd als u deze afdankt. Neem contact op met de milieuafdeling van uw gemeente voor advies.

3 VEILIG WERKEN



Om het risico op elektrische schokken te vermijden, moet u de Elcometer 3000 gemotoriseerde Clemen-eenheid niet openen. Het instrument bevat geen onderdelen die de gebruiker zelf kan vervangen. De garantie vervalt als u het instrument hebt geopend.



Om het risico op brand of elektrische schokken te vermijden, mag u de Elcometer 3000 gemotoriseerde Clemen-eenheid niet blootstellen aan regen of overmatig vocht.

3 VEILIG WERKEN (vervolg)

Een zekering beschermt de IEC-voedingsingang – zie Sectie 10 ‘Technische specificaties’ op pagina nl-10 voor zekeringwaarden.

De VK voedingsstekker is uitgevoerd met een zekering. Als u deze zekering vervangt, zorg dan dat u een zekering van de juiste waarde gebruikt – zie Sectie 10 ‘Technische specificaties’ op pagina nl-10 voor meer informatie.

Elcometer beveelt het gebruik van goedgekeurde stroomkabels aan door een erkende testautoriteit. Voorbeelden van geschikte stroomkabels zijn UK, EUR H05RN-F 3G 0,75 mm 2 kabel, US SJT 18 AWG/3C kabel.

4 AAN DE SLAG

4.1 INSTALLATIE



De Elcometer 3000 gemotoriseerde Clemen-eenheid is zwaar; als u de tester handmatig wilt verplaatsen, moet u deze met ten minste twee personen tillen.

Plaats de Elcometer 3000 op een vlak en genivelleerd oppervlak dat het gewicht van de tester kan dragen. De Elcometer 3000 gemotoriseerde Clemen-eenheid heeft stelbare poten waarmee u de tester waterpas kunt stellen.

4.2 IN/UIT-SCHAKELLEN – ALLEEN VOOR GEMOTORISEERDE CLEMEN-EENHEID

Druk op de Aan/uit-knop om de eenheid in te schakelen. De knop zal oplichten als de eenheid is ingeschakeld. Druk nogmaals op de Aan/uit-knop om de eenheid uit te schakelen.

5 EEN MONSTER TESTEN – HANDBEDIENDE CLEMEN-EENHEID

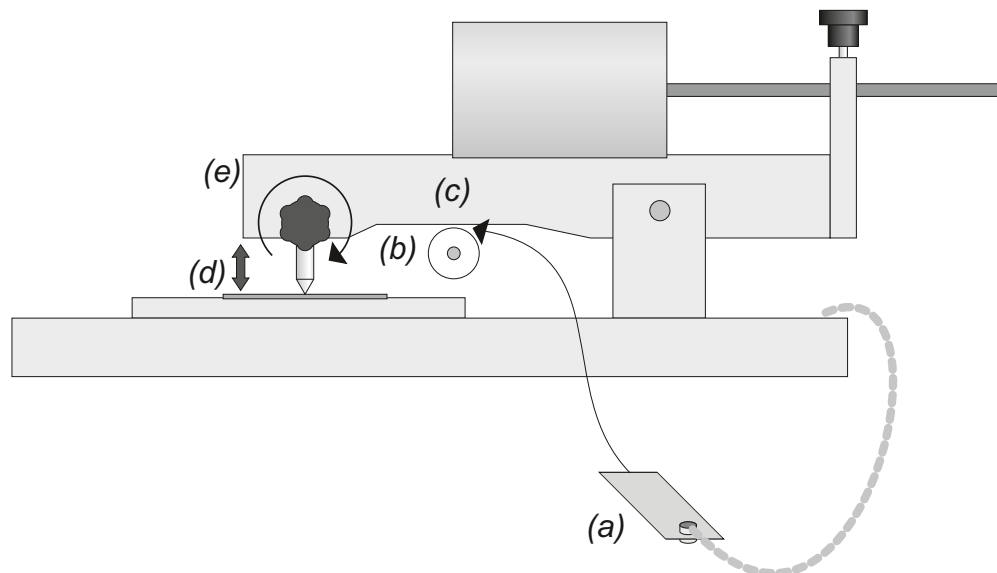
Voordat u een monster kunt testen, moet u de hoogte van de tool afstellen.

5.1 DE TOOLHOOGTE AFSTELLEN

- 1 Plaats het monster op het monsterplatform en zet het vast door te draaien aan de klemhendel.
- 2 Til de lastbalk op en schuif het monsterplatform voorwaarts tot het midden van het monster onder de tool ligt.

5 EEN MONSTER TESTEN – HANDBEDIENDE CLEMEN-EENHEID

- 3 Voer het metalen plaatje (a) in tussen het nylon wiel (b) en de lastbalk (c) en laat vervolgens de lastbalk zakken.
- 4 Stel de hoogte van de tool (d) af tot deze tot het oppervlak van het monster komt. Draai vervolgens het gekartelde wiel (e) met de klok mee om de tool te vergrendelen.



- 5 Til de lastbalk op, verwijder het metalen plaatje en schuif het monsterplatform terug naar zijn uitgangspositie.
- 6 Schuif het gewicht langs de lastbalk tot de vereiste lastwaarde en vergrendel het gewicht door de gekartelde knop aan te draaien. De last kan ingesteld worden van 0 tot 2 kg (0 tot 4,4 lb.).

Het instrument en het monster zijn nu klaar voor de test.

5.2 TESTPROCEDURE

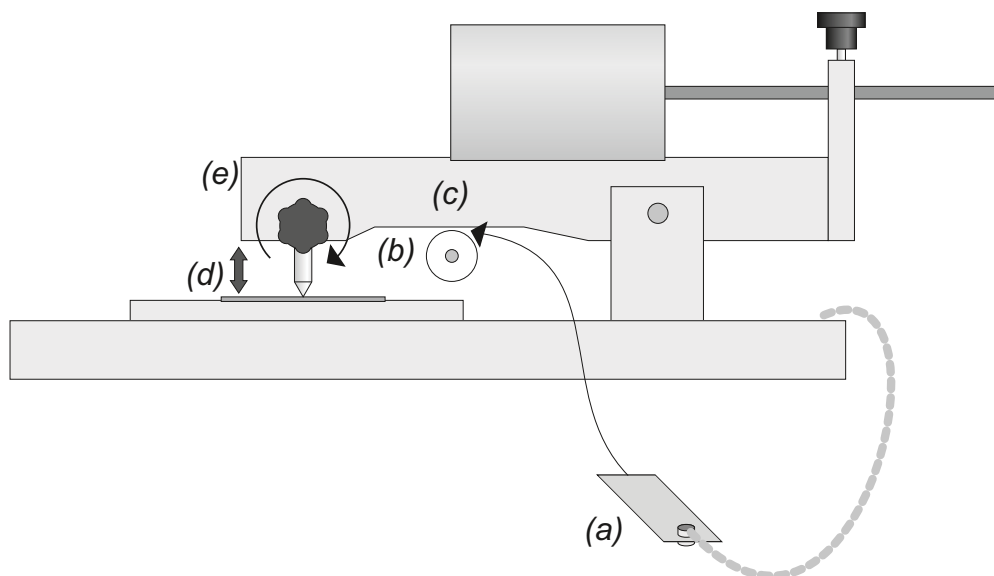
- 1 Trek het monsterplatform naar u toe in één vloeiende beweging; de standaard bewegingssnelheid is ongeveer 30 mm/s (1,2"/s).
- 2 De tool zakt aan het begin van de test op het monster en gaat aan het einde van de test weer omhoog.
- 3 Inspecteer het monster op schade in overeenstemming met de vereisten van de teststandaard. Herhaal de test indien nodig, verhoog de last tussen tests.

6 EEN MONSTER TESTEN– GEMOTORISEERDE CLEMEN-EENHEID

Voordat u een monster kunt testen, moet u de hoogte van de tool afstellen.

6.1 DE TOOLHOOGTE AFSTELLEN

- 1 Sluit de eenheid aan op de netvoeding en druk op de aan/uit-knop om het instrument in te schakelen.
- 2 Plaats het monster op het monsterplatform en zet het vast door te draaien aan de klemhendel.
- 3 Zet de tool in zijn hoogste stand zodat het monster vrijstaat.
- 4 Druk op de startknop en vervolgens onmiddellijk op de aan/uit-knop, ongeacht aan welke kant de tool staat. Hierdoor stopt de lastbalk in het midden.
- 5 Voer het metalen plaatje (a) in tussen het nylon wiel (b) en de lastbalk (c) en laat vervolgens de lastbalk zakken.
- 6 Stel de hoogte van de tool (d) af tot deze tot het oppervlak van het monster komt. Draai vervolgens het gekartelde wiel (e) met de klok mee om de tool te vergrendelen.



- 7 Til de lastbalk op en verwijder het metalen plaatje. Ondersteun de lastbalk en druk op de aan/uit-knop en daarna op de startknop om de tool te laten terugkeren naar zijn uitgangspositie.
 - Door de lastbalk te ondersteunen terwijl de tool terugkeert naar zijn uitgangspositie voorkomt u beschadigingen aan het oppervlak van het monster, de tool of het monsterplatform.
- 8 Schuif het gewicht langs de lastbalk tot de vereiste lastwaarde en vergrendel het gewicht door de gekartelde knop aan te draaien. De last kan ingesteld worden van 0 tot 1,5 kg (0 tot 3,3 lb.) met het verschuifbare gewicht.

6 EEN MONSTER TESTEN– GEMOTORISEERDE CLEMEN-EENHEID

Gebruik voor lasten tussen de 1,5 en 5 kg (3,3 en 11 lb.) het meegeleverde extra gewicht van 1 kg (2,2 lb.). Plaats het benodigde aantal gewichten op de verticale stang op de lastbalk om de juiste last te verkrijgen. Als u bijvoorbeeld een last van 3,5 kg (7,7 lb.) nodig hebt, plaatst u drie gewichten van 1 kg (2,2 lb.) op de verticale stang en schuift u het gewicht naar de 0,5 kg (1,1 lb.) markering op de schaal.

Het instrument en het monster zijn nu klaar voor de test.

6.2 TESTPROCEDURE



Houd tijdens gebruik uw vingers uit de buurt van het mechanisme.

- 1 Druk op de startknop. De tool begint te bewegen en zakt aan het begin van de test op het monster en gaat aan het einde van de test weer omhoog en stopt dan automatisch.
- 2 Inspecteer het monster op schade in overeenstemming met de vereisten van de teststandaard. Herhaal de test indien nodig, verhoog de last tussen tests.

De volledige destructie van een verlaag op een metalen monster wordt waargenomen als de voltmeter 10 tot 12 V aangeeft en als de startknop knippert (de elektrische detectie werkt alleen bij metalen monsters zonder coating aan de achterkant).

6.3 DIKKE MONSTERS TESTEN

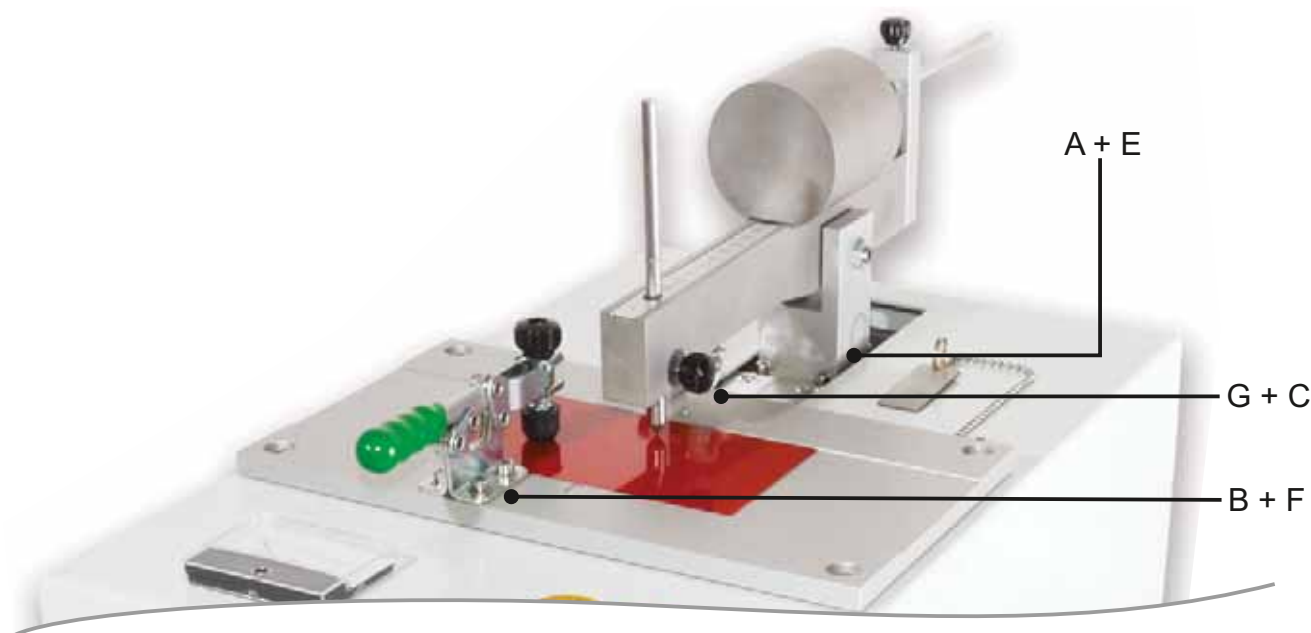
De Elcometer 3000 gemotoriseerde Clemen-eenheid kan in de standaarduitvoering monsters testen tot een dikte van maximaal 3 mm (0,12"). Een aanpassingskit is verkrijgbaar als accessoire en maakt tests mogelijk van monsters met een dikte tot 20 mm (0,8").

De aanpassingskit bestaat uit onderstaande items. Raadpleeg Figuur 1 op pagina nl-8 voor de locatie van de onderdelen.

Onderdeel	Beschrijving	Aantal
A	Tussenstuk voor lastbalk; 55 x 39 x 5 mm	3
B	Tussenstuk voor monsterklem; 35 x 30 x 12 mm	1
C	Hoogtemaat voor wiel; 5 & 15 mm	1
	Hoogtemaat voor wiel; 10 & 20 mm	1

6 EEN MONSTER TESTEN– GEMOTORISEERDE CLEMEN-EENHEID

Onderdeel	Beschrijving	Aantal
D	Inbussleutel; 3 mm	1
E	M4 x 20 bout voor lastbalk 4 sets	4 sets
F	M4 x 25 bout voor monsterklem 2 sets	2 sets
G	Hoogteverstelbaar wiel	1



Monteer de onderdelen volgens de aanbevelingen uit onderstaande tabel.

Dikte van monster		5 mm tussenstukken voor basis van lastbalk (aantal)	12 mm tussenstuk voor monsterklem	Hoogtemaat voor wiel
mm	inches			
0,5 - 5	0,02 - 0,2	0	Niet vereist	5mm
5 - 10	0,2 - 0,4	1	Niet vereist	10mm
10 - 15	0,4 - 0,6	2	Vereist	15mm
15 - 20	0,6 - 0,8	3	Vereist	20mm

Opmerking:

- 1) Monteer de basis van de lastbalk en monsterklem op de tussenstukken met bouten van een geschikte lengte (bovenstaande onderdelen E & F).
- 2) Gebruik de hoogtemaat (bovenstaand onderdeel C) om de hoogte van het nylon wiel af te stellen en draai vervolgens het gekartelde wiel aan om het te vergrendelen.

7 RESERVEONDERDELEN & ACCESSOIRES

7.1 KOGELTOOL

De Elcometer 3000 wordt standaard geleverd met een wolframcarbide kogeltool van 1 mm (0,04”).

Vanwege de aard van de test zal de kogeltool na verloop van tijd slijten. Reserveonderdelen en vervangende onderdelen zijn verkrijgbaar bij Elcometer of uw lokale Elcometer-leverancier.

Beschrijving

Wolframcarbide kogeltool; 1 mm (0,04”)

Artikelnummer

KT003000P021

7.2 SNIJTOOL VOOR KRATESTS

De snijtool is verkrijgbaar als accessoire en krast veel agressiever dan de standaard kogeltool die wordt meegeleverd bij het instrument. Gebruik voor de snijtool dezelfde afstelprocedure en testprocedure als die voor de standaard kogeltool.

Beschrijving

Wolframcarbide snijtool; 2 mm (0,08”)

Artikelnummer

KT003000N001

7.3 AANPASSINGSKIT

De aanpassingskit is beschikbaar als accessoire voor de Elcometer 3000 gemotoriseerde Clemen-eenheid en maakt het mogelijk om monsters te testen met een dikte tot 20 mm (0,8”) – zie Sectie 6.3 ‘Dikke monsters testen’ op pagina nl-7 voor meer informatie.

Beschrijving

Aanpassingskit voor 5-20 mm/0,02-0,8”

Artikelnummer

KT003000N015

8 VERZORGING & ONDERHOUD

De bovenkant van het instrument rond het gebied van het testmonster moet regelmatig afgenomen worden met een droge doek.

De Elcometer 3000 bevat geen onderdelen die de gebruiker zelf kan vervangen. In het onwaarschijnlijke geval dat er zich een probleem voordoet, dient u het instrument terug te sturen naar uw lokale Elcometer-leverancier of direct naar Elcometer.

De garantie vervalt als u het instrument hebt geopend.

9 GARANTIEVERKLARING

Voor de Elcometer 3000 geldt een garantietermijn van 12 maanden op fabricagefouten, verontreiniging en slijtage vallen daar niet onder.

Vervangbare onderdelen, verbruiksartikelen en accessoires, waaronder de kogeltool en snijtool, zijn uitgesloten van garantie.

10 TECHNISCHE SPECIFICATIES

10.1 ELCOMETER 3000 HANDBEDIENDE CLEMEN-EENHEID	
Lastbereik	0 - 2kg (0 - 4,4lb)
Monstergrootte	75 x 150mm (3 x 6")
Dikte van monster	0,5 - 3mm (0,02 - 0,12")
Afmetingen	410 x 200 x 155mm (16,1 x 7,9 x 6,1")
Gewicht	6kg (13,2lb)
Kan worden gebruikt in overeenstemming met: AS/NZS 1580.403.1, BS 3900-E2, DIN 53799, ECCA T12, EN 13523-12, ISO 1518-1:2011	

10.2 ELCOMETER 3000 GEMOTORISEERDE CLEMEN-EENHEID		
Lastbereik	0 - 5kg (0 - 11lb)	
Monstergrootte	75 x 150mm (3 x 6")	
Dikte van monster	Standaard:	0.5 - 3mm (0,02 - 0,12")
	Uitgebreid^a:	5 - 20mm (0,2 - 0,8")
Bedrijfsspanning	VK / EU:	230V AC; 0,1A; 50Hz
	VS:	120V AC; 0,2A; 60Hz
Transiënte overspanning	Categorie II	
Zekeringswaarde	Voedingsingang:	1 x T2AH250V
	DC-zekering^b:	1 x T315MAH250V
	VK stekker:	1 x T3AH250V
Bedrijfstemperatuur (omgevingslucht)	5 tot 40°C (41 tot 104°F)	
Transport- & opslagtemperatuur	-10 tot 55°C (14 tot 131°F)	
Vochtigheidsbereik	Maximaal 80% relatieve luchtvochtigheid tot 31 °C (88 °F), lineair dalend tot 50% bij 40 °C (104 °F).	
<i>vervolg op pagina nl-11</i>		

^a In combinatie met de optionele aanpassingskit – zie Sectie 6.3 'Dikke monsters testen' op pagina nl-7 voor meer informatie.

^b Boven de voedingsingang.

10 TECHNISCHE SPECIFICATIES (vervolg)

10.2 Elcometer 3000 gemotoriseerde Clemen-eenheid (vervolg)	
Vervuilingsgraad	2
IP-waarde huis	IP20
Afmetingen	460 x 280 x 330mm (18 x 11 x 13")
Gewicht	20kg (44lb)
Opmerking: Voor binnengebruik alleen bij hoogtes tot 2000 m (6562 ft). Netvoedingsschommelingen tot 10% van de nominale spanning. Tijdelijke overspanningen die plaatsvinden aan de voeding.	
Kan worden gebruikt in overeenstemming met: AS/NZS 1580.403.1, BS 3900-E2, DIN 53799, ECCA T12, EN 13523-12, ISO 1518-1:2011, JIS K 5600-5-5	

11 JURIDISCHE KENNISGEVINGEN & WETTELIJKE INFORMATIE

Conformiteitsverklaring:

De Elcometer 3000 gemotoriseerde Clemen-eenheid voldoet aan de vereisten van de volgende EU-richtlijnen:

2006/42/EC Machine beleidsrichtlijn, zoals aangepast per 2009/127/EC en 2014/33/EU

2014/30/EU Elektromagnetische Verenigbaarheid

De conformiteitsverklaring kunt u downloaden via:

www.elcometer.com/images/stories/PDFs/Datasheets/Declaration_of_Conformity/Dutch/DoC_3000_Motorised.pdf

CISPR 11 geclassificeerd als Klasse B, Groep 1 ISM apparaat.

Klasse B producten: zijn geschikt voor gebruik in huishoudens en ruimtes die aangesloten zijn op het openbare laagspanningsnetwerk.

Groep 1 ISM producten: producten waarin opzettelijk geleidend gekoppelde radiofrequente energie wordt opgewekt of gebruikt voor de interne werking van het apparaat zelf.

OPMERKING: Dit apparaat is getest en voldoet aan de limieten voor een Klasse B digitaal apparaat, conform Deel 15 van de FCC Regels. Deze limieten zijn ontworpen om een redelijke bescherming te bieden tegen kwalijke storing in een huisinstallatie. Dit apparaat genereert en gebruikt radiofrequente energie en kan die uitstralen. En als het apparaat niet wordt geïnstalleerd en gebruikt volgens de gebruiksaanwijzing kan het kwalijke storing aan radiocommunicatie veroorzaken. Het is echter geen garantie dat er in bepaalde installaties geen storing kan voorkomen. Als dit apparaat kwalijke storing veroorzaakt aan radio- of televisieontvangst, wat u kunt vaststellen door het apparaat in- en uit te schakelen, wordt u aangeraden om te proberen om de storing te verhelpen d.m.v. een of meerdere van de volgende maatregelen:

- Herschikken of verplaatsen van de ontvangstantenne.
- De afstand tussen het apparaat en de ontvanger vergroten.
- Het apparaat aansluiten op een andere elektriciteitsgroep dan die waarop de ontvanger is aangesloten.
- De verkoper of een ervaren radio/tv-monteur raadplegen voor assistentie.

Om te voldoen aan de FCC-eisen voor RF-blootstelling bij mobiele en vaste zendapparatuur dient men tijdens bedrijf minimaal 20 cm afstand te houden tot de antenne van dit apparaat. Om naleving te garanderen, raden we u aan deze afstand te respecteren. De antenne(s) die wordt/worden gebruikt voor deze zender niet samenvoegen of gebruiken in combinatie met andere antennes of zenders.

Door modificaties uit te voeren die niet uitdrukkelijk zijn goedgekeurd door Elcometer Limited kan gebruik van het apparaat buiten de FCC-reglementen vallen.

elcometer is een gedeponeed handelsmerk van Elcometer Limited, Edge Lane, Manchester, M43 6BU. Verenigd Koninkrijk

Alle andere handelsmerken zijn het eigendom van hun respectievelijke eigenaars.

De Elcometer 3000 Clemen-eenheid is verpakt in een verpakking van multiplex en/of stevig karton en schuimmateriaal. Het is raadzaam om het verpakkingsmateriaal te bewaren voor als u het instrument moet vervoeren. Zorg ervoor dat de verpakking milieuvriendelijk wordt afgevoerd als u deze afdankt. Neem contact op met de milieufdeling van uw gemeente voor advies.

Hoofdkantoor: Elcometer Limited, Edge Lane, Manchester, M43 6BU. Verenigd Koninkrijk



用户使用指南
Elcometer 3000
电动和手动克莱门试验仪

部分	页
1 概览	zh-2
2 包装清单	zh-3
3 安全工作	zh-3
4 启动	zh-4
5 测试样品 - 手动克莱门测试仪	zh-4
6 测试样品 - 电动克莱门测试仪	zh-6
7 备件和附件	zh-9
8 维护与保养	zh-9
9 保修声明	zh-10
10 技术规格	zh-10
11 法律提示 & 法规信息	zh-11



避免疑议, 请参考英文版本.

仪器尺寸：	手动克莱门测试仪：	410 x 200 x 155mm (16.1 x 7.9 x 6.1")
	电动克莱门测试仪：	460 x 280 x 330mm (18 x 11 x 13")
仪器重量：	手动克莱门测试仪：	6kg (13.2lb)
	电动克莱门测试仪：	20kg (44lb)

© Elcometer Limited 2008 - 2019. 公司保留所有权利. 本文献任何部分都不得复制, 传输, 存储(在检索或其他), 或者在没有Elcometer Limited事先书面许可的情况下以任何方式(电子, 机械, 磁性, 光学, 手动或其他)译成任何语言.

1 概览

有两种版本可供选择; 手动和电动, Elcometer 3000 克莱门试验仪是一款坚固且易于使用的仪器, 用于评估涂层表面的耐刮擦性. 样品可以是金属, 木材, 玻璃, 塑料或其他硬质材料

装有半球形球的工具逐渐降低到样品表面上并沿直线移动 60mm (2.4") 的距离。工具施加在表面上的向下力可通过滑动重量。

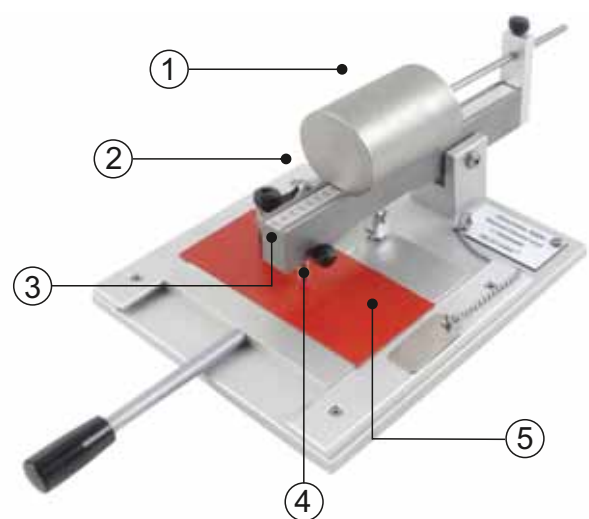
根据测试的目的和施加的力, 观察到工具渗透到涂层中的不同程度, 从表面痕迹到完全破坏

Elcometer 3000 手动克莱门试验仪: 将样品夹在滑动平台上, 该平台是手动移动的。

Elcometer 3000 电动克莱门试验仪: 将样品夹在固定平台上。只需按一下按钮, 工具就会移过样品并在行程结束时自动停止。工具和金属样品之间的接触由灯和电压表指示。

1.1 手动克莱门试验仪

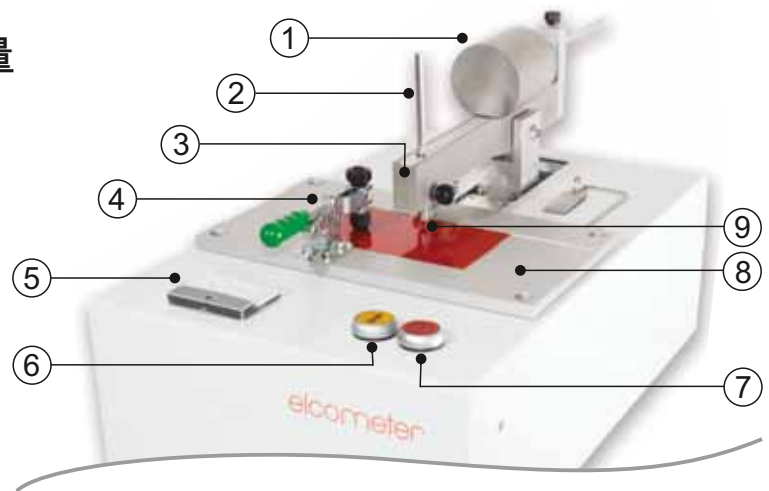
- 1 重量
- 2 夹子
- 3 荷载梁
- 4 工具
- 5 样品平台



1 概览 (续前节)

1.2 电动克莱门试验仪

- 1 重量
- 2 支持额外的1kg(2.2lb)重量
- 3 荷载梁
- 4 夹子
- 5 电压表
- 6 开启按钮
- 7 电源开/关按钮
- 8 样品平台
- 9 工具



2 包装清单

- Elcometer 3000 克莱门试验仪
- 碳化钨球形划擦工具; 1mm(0.04")
- 校准证书 - 如果订购
- 用户使用指南

随Elcometer 3000 电动克莱门试验仪提供的附加物品

- 1kg重量 (x4)
- 主要电源线：英国，欧元和美国

Elcometer 3000 克莱门试验仪采用胶合板和/或重型纸板和泡沫包装。建议在需要运输仪器时保留并重复使用此包装。如果包装被丢弃，请确保以环保的方式进行。有关进一步指导，请咨询当地环境部门。

3 安全工作



为降低触电风险，请勿打开Elcometer 3000电动克莱门试验仪的外壳。内部没有用户可维修的部件。如果仪器已打开，保修将失效。



为降低火灾或触电风险，请勿将Elcometer 3000电动克莱门试验仪暴露在雨中或多余的水分中

3 安全工作 (续前节)

IEC入口由一个保险丝保护 - 有关保险丝额定值，请参见第zh-10页第10节“技术规格”。

英国电源插头配有保险丝。更换此保险丝时，请确保使用正确额定值的保险丝 - 有关详细信息，请参阅第zh-10页第10节“技术规格”。

易高建议使用经认可的测试机构批准的电源线。合适的电源线的例子是英国，欧元H05RN-F 3G 0.75mm 2电缆，美国SJT 18AWG / 3C电缆。

4 启动

4.1 安装



Elcometer 3000电动克莱门试验仪很重; 手动抬起试验仪必须由至少两个人进行。

将Elcometer 3000放置在平坦的表面上，适合试验仪施加的荷载。Elcometer 3000电动克莱门试验仪具有可调节支脚，可用于调平试验仪。

4.2 打开/关闭 - 仅限电动克莱门试验仪

按开/关按钮开启试验仪。打开试验仪时，按钮将亮起。再次按开/关按钮可关闭试验仪。

5 测试样品 - 手动克莱门试验仪

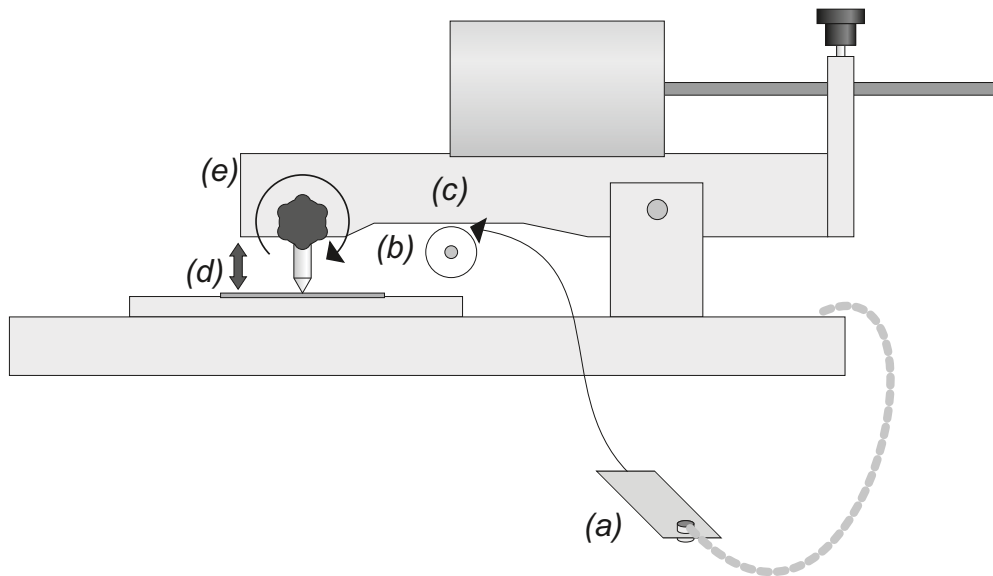
在测试样品之前，必须调整工具的高度。

5.1 调整工具高度

- 1 将样品放在样品平台上，并通过旋转夹具手柄固定到位。
- 2 将荷载梁抬起并保持在其抬起位置，然后滑动样品平台，直到样品中心位于工具下方。

5 测试样品 - 手动克莱门试验仪 (续前节)

- 3 将金属垫片(a)插入尼龙轮(b)和荷载梁(c)之间，然后降低荷载梁。
- 4 调整工具的高度(d)，直到它接触到样品表面，然后拧紧滚花轮(e)，将工具锁定到位



- 5 抬起荷载梁，取下金属垫片，将样品平台滑回其起始位置。
- 6 沿着荷载梁将重物滑到所需的负载，并通过拧紧滚花轮将其锁定到位。荷载可以设置为0到2kg(0到4.4lb)。

现在仪器和样品已准备好进行测试。

5.2 测试程序

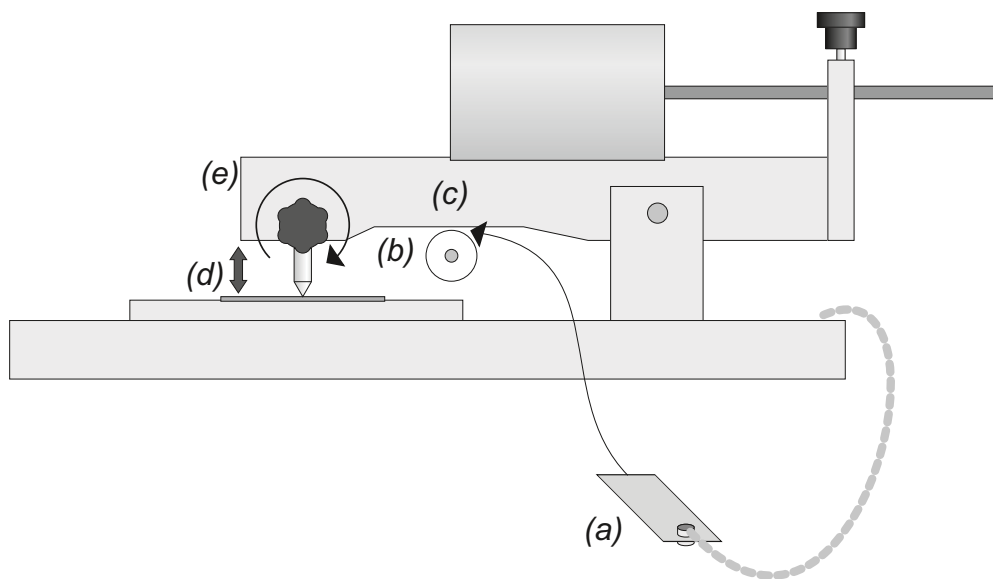
- 1 以一个平滑的动作将样品平台拉向您；标准移动速度约为30mm /s (1.2"/s)。
- 2 该工具将在测试开始时降低到样品上，并在测试结束时升高。
- 3 根据测试标准的要求检查样品是否损坏。根据需要重复测试，增加测试之间的荷载

6 测试样品 - 电动克莱门试验仪

在测试样品之前，必须调整工具的高度。

6.1 调整工具高度

- 1 将试验仪连接到主电源，然后按电源开/关按钮打开试验仪。
- 2 将样品放在样品平台上，并通过旋转夹具手柄固定到位
- 3 将工具的高度调整到其上部位置以清除样品。
- 4 将工具放在任一端，按“开始”按钮，然后立即按下“电源开/关”按钮。这将使荷载梁停在中心附近
- 5 将金属垫片(a)插入尼龙轮(b)和荷载梁(c)之间，然后降低荷载梁。
- 6 调整工具的高度(d)，直到它接触到样品表面，然后拧紧滚花轮(e)，顺时针旋转，将工具锁定到位



- 7 抬起荷载梁，取下金属垫片，同时支撑荷载梁，按下电源开/关按钮，然后按开始按钮，将工具返回到其起始位置。
 - ▶ 在工具移动到其起始位置时支撑荷载梁可防止损坏样品表面，工具或样品平台。
- 8 沿着荷载梁将重物滑到所需的负载，并通过拧紧滚花轮将其锁定到位。使用滑动重量可以将荷载设置为0到1.5kg (0到3.3lb)。

6 测试样品 - 电动克莱门试验仪 (续前节)

对于1.5至5kg(3.3和11lb)的荷载，请使用额外的1kg(2.2lb)重量. 将所需数量的重量放在荷载梁上的垂直杆上，以获得正确的荷载。例如，如果需要3.5kg(7.7lb)的荷载，则将三个1kg(2.2lb)重物放在垂直杆上，并将重物滑到秤上的0.5kg(1.1lb)标记处。

现在仪器和样品已准备好进行测试。

6.2 测试程序



在使用过程中，请保持手指远离机械。

- 1 按开始按钮。该工具将开始移动，并在测试开始时降低到样品上，在测试结束时升高，然后自动停止
- 2 根据测试标准的要求检查样品是否损坏。根据需要重复测试，增加测试之间的荷载。

当电压表针指示10V至12V并且启动按钮闪烁时（电子检测装置仅在反面未涂覆的金属样品上操作），观察到金属样品上漆膜的完全破坏。

6.3 测试厚样品

所提供的Elcometer 3000电动克莱门试验仪可用于测试最大厚度为3mm(0.12")的样品。可作为可选配件购买的调整套装，可测试厚度达20mm(0.8")的样品

调整套装包含下列项目。有关部件的位置，请参阅第zh-8页的图1

部件	描述	数量
A	荷载梁垫片; 55 x 39 x 5mm	3
B	样品夹垫片; 35 x 30 x 12mm	1
C	用于轮的高度计; 5和15mm	1
	用于轮的高度计; 10和20mm	1

6 测试样品 - 电动克莱门试验仪 (续前节)

部件	描述	数量
D	六角扳手;3mm	1
E	M4 x 20螺丝用于荷载梁	4套
F	M4 x 25螺丝用于样品夹	2套
G	高度可调轮	1



根据下表中给出的建议安装部件。

样品厚度		用于荷载梁底座的 5mm垫片 (数量)	用于样品夹的 12mm垫片	用于轮的高度计
毫米	英寸			
0.5 - 5	0.02 - 0.2	0	不需要	5mm
5 - 10	0.2 - 0.4	1	不需要	10mm
10 - 15	0.4 - 0.6	2	需要	15mm
15 - 20	0.6 - 0.8	3	需要	20mm

注:

- 1) 使用适当长度的螺钉 (上面的E & F部分) 将荷载梁底座和样品夹安装到垫片上。
- 2) 使用高度计(上面的C部分)调整尼龙轮的高度，然后拧紧滚花轮以锁定到位。

7 备件和附件

7.1 球形划擦工具

每台Elcometer 3000标配1mm (0.04“) 碳化钨球形划擦工具

由于测试的性质，球形划擦工具会随着使用而磨损。 备件/更换工具可从易高或您当地的易高供应商处购买

描述	部件编号
碳化钨球形划擦工具; 1mm (0.04")	KT003000P021

7.2 用于刮擦测试的切割工具

可作为可选配件购买，切割工具比每台仪器随附的标准球形工具提供更具侵略性的划痕。 使用切割工具时，请遵循与标准球形工具相同的调整步骤和测试步骤。

描述	部件编号
碳化钨切割工具; 2mm (0.08")	KT003000N001

7.3 调整套装

可作为Elcometer 3000电动克莱门试验仪的可选配件购买，调整套装可测试厚度达20mm(0.8“)的样品 - 有关详细信息，请参阅第zh-7页第6.3节“测试厚样品“。

描述	部件编号
调整套装 从5 - 20mm/0.02 - 0.8"	KT003000N015

8 维护与保养

应使用干布定期擦拭测试样品区域周围的仪器顶部。

Elcometer 3000不包含任何用户可维修的组件。 万一发生故障，应将仪器返回当地的易高供应商或直接返回易高

如果仪器已打开，保修将失效。

9 保修声明

Elcometer 3000提供12个月的制造缺陷保修，不包括污染和磨损。

更换消耗部件和附件（包括但不限于球和切割工具）不在保修范围内。

10 技术规格

10.1 Elcometer 3000手动克莱门试验仪		
荷载范围	0 - 2kg (0 - 4.4lb)	
样品尺寸	75 x 150mm (3 x 6")	
样品厚度	0.5 - 3mm (0.02 - 0.12")	
仪器尺寸：	410 x 200 x 155mm (16.1 x 7.9 x 6.1")	
仪器重量：	6kg (13.2lb)	
可按照使用： AS/NZS 1580.403.1, BS 3900-E2, DIN 53799, ECCA T12, EN 13523-12, ISO 1518-1:2011		
10.2 Elcometer 3000电动克莱门试验仪		
荷载范围	0 - 5kg (0 - 11lb)	
样品尺寸	75 x 150mm (3 x 6")	
样品厚度	标准：	0.5 - 3mm (0.02 - 0.12")
	扩展 ^a ：	5 - 20mm (0.2 - 0.8")
操作电压	英国/欧盟：	230V AC; 0.1A; 50Hz
	美国：	120V AC; 0.2A; 60Hz
暂态过电压	第二类别	
保险丝额定值	电源插座：	1 x T2AH250V
	直流保险丝 ^b ：	1 x T315MAH250V
	英国插头：	1 x T3AH250V
操作温度（环境空气）	5 至 40°C (41 至 104°F)	
运输和储存温度	-10 至 55°C (14 至 131°F)	
湿度范围	相对湿度不超过80%,最高31°C(88°F)，在40°C (104°F) 时线性降至50%。	
在第zh-11页继续		

^a 使用可选的调整套装 - 请参见第zh-7页第6.3节“测试厚样品”。

^b 位于电源入口上方。

10 技术规格 (续前节)

10.2 Elcometer 3000 电动克莱门试验仪 (续前节)	
污染程度	2
外壳防护IP等级	IP20
仪器尺寸	460 x 280 x 330mm (18 x 11 x 13")
仪器重量	20kg (44lb)
注: 仅限海拔高达2000米(6562英尺)的室内使用。 主电源波动最高可达名义值电压的10%。 供应上发生临时过电压。	
可按照使用: AS/NZS 1580.403.1, BS 3900-E2, DIN 53799, ECCA T12, EN 13523-12, ISO 1518-1:2011, JIS K 5600-5-5	

11 法律提示 & 法规信息

符合性声明

Elcometer 3000 电动克莱门试验仪符合以下欧盟指令的要求：

2006/42/EC 机械指令，经2009/127/EC和2014/33/EU修正

2014/30/EU 电磁兼容性

符合性声明可通过以下网址下载：

www.elcometer.com/images/stories/PDFs/Datasheets/Declaration_of_Conformity/English/DoC_3000_Motorised.pdf

根据CISPR 11, 该产品是B级, 第1组ISM设备.

B级产品: 为国内机构所使用, 直接连接到为住宅用的建筑物提供的低压供电网络.

第1组ISM产品: 类产品产生的/或使用的导电耦合射频能量, 是设备内部本身运作所必需的.

注: 该仪器已经被检测过并且能满足B类数字式装置的极限. 依据联邦委员会第15部分规定. 这些极限的设计提供了合理的保护来抵抗住宅安装中的有害干扰. 仪器产生, 使用中的辐射无线电射频能量, 如果不遵照指令安装和使用, 可能会造成对无线电通讯的有害干扰. 然而, 也不能保证在特定的装置中不会产生干扰. 如果仪器对无线电或电视机接收产生有害干扰, 可以决定关闭仪器再打开, 鼓励用户通过以下一种或者多种方法努力去排除干扰:

- 调整或迁移接收天线.
- 扩大仪器和接收器的间隔.
- 仪器插进电路插座进行连接与仪器和接收器的连接是不同的.
- 咨询经销商或者无线电技术人员来得到帮助.

为了满足移动设备和基站发射设备的FCC RF规定要求, 应保持该装置的天线和操作过程中人与人之间的20厘米以上的间距. 为确保合规性, 不建议操作在比这个距离更近. 天线用于此发射器不得在同一地点或与任何其他天线或发射器一起工作.

在FCC规定下, 条款修改没有很明显地被 Elcometer有限公司支持, 可能使用户操作仪器的权利失效.

elcometer® 是Elcometer公司的注册商标, Edge Lane, 曼彻斯, M43 6BU, 英国.

所有商标也都得到注册许可.

Elcometer 3000 克莱门试验仪采用胶合板和/或重型纸板和泡沫包装. 建议在需要运输仪器时保留并重复使用此包装. 如果包装被丢弃, 请确保以环保的方式进行. 有关进一步指导, 请咨询当地环境部门

总公司: Elcometer公司的注册商标, Edge Lane, 曼彻斯, M43 6BU, 英国.



ユーザーガイド

Elcometer 3000

モーター駆動型および手動型クレ
メン式硬さ計

セクション	ページ
1 概要	jp-2
2 梱包内容	jp-3
3 安全にお使いいただくために	jp-3
4 使い始める前に	jp-4
5 試験の実施 - 手動型	jp-4
6 試験の実施 - モーター駆動型	jp-6
7 交換用部品とアクセサリー	jp-9
8 メンテナンス	jp-9
9 保証規定	jp-10
10 仕様	jp-10
11 関連する法律と規制について	jp-11



不明な点がある場合は、英語版の取扱説明書を確認してください。

寸法:	手動型クレーメン式硬さ計:	410 x 200 x 155mm (16.1 x 7.9 x 6.1インチ)
	モーター駆動型クレーメン式硬さ計:	460 x 280 x 330mm (18 x 11 x 13インチ)
重量:	手動型クレーメン式硬さ計:	6kg (13.2ポンド)
	モーター駆動型クレーメン式硬さ計:	20kg (44ポンド)

© Elcometer Limited 2008 - 2019. All rights reserved. この文書の一部または全部を、Elcometer Limitedの事前の書面による許可なく、いかなる形式や方法（電子的、機械的、磁氣的、光学的、手動を問わず）によっても、複製、転送、保管（検索可能なシステムかどうかを問わず）、または他の言語に翻訳することを禁じます。

1 概要

Elcometer 3000クレーメン式硬さ計は、モーター駆動型と手動型の2種類あり、塗膜の引っかきに対する抵抗性を判定する頑丈で使いやすい装置です。金属、木材、ガラス、プラスチックなどの素地の塗膜を試験できます。

先端に半球が付いた切削針が試料の表面に向かってゆっくり下がってから、まっすぐ60mm（2.4インチ）移動します。切削針から下向きにかかる力は、おさせて調節しますもりをスライド。

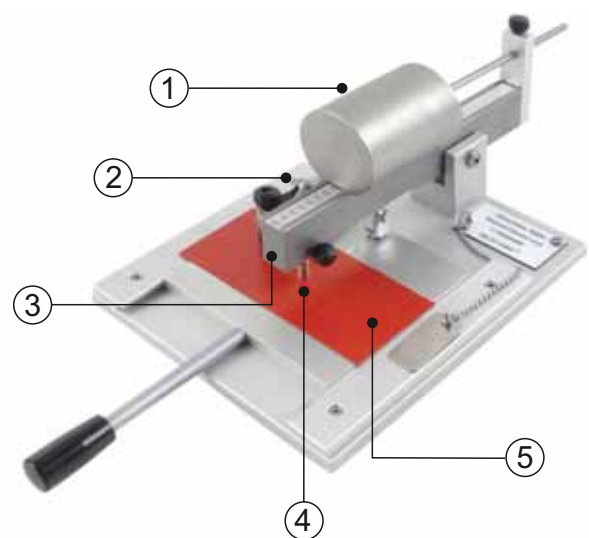
試験の目的と荷重の大きさによって、表面だけの痕跡から塗膜の完全な破壊まで、スライド式のおもりで調節します。

Elcometer 3000手動型クレーメン式硬さ計： スライド式の試料台に試料をクランプで固定します。

Elcometer 3000モーター駆動型クレーメン式硬さ計： 本体に据え付けられている試料台に試料をクランプで固定します。ボタンを押すと切削針が動き始め、試料を縦断して自動的に止まります。切削針が金属の下地に触れると、ランプが点滅し、電圧計の針が動きます。

1.1 手動型クレーメン式硬さ計

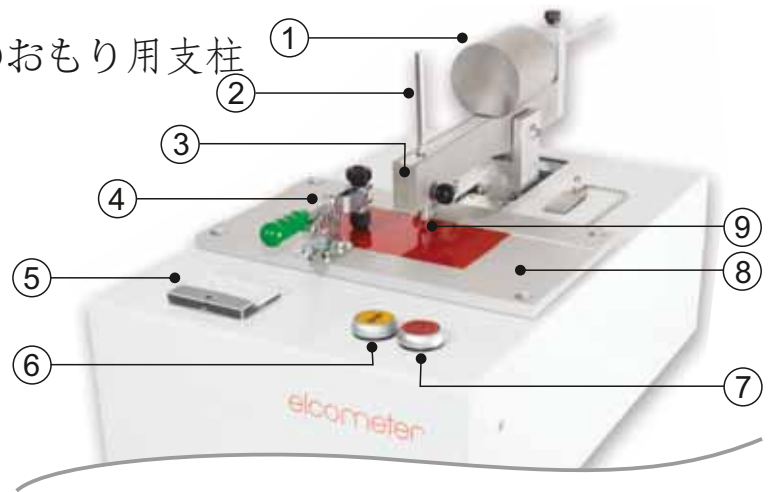
- 1 おもり
- 2 クランプ
- 3 荷重アーム
- 4 切削針
- 5 試料台



1 概要（続き）

1.2 モーター駆動型クレーメン式硬さ計

- 1 おもり
- 2 追加の1kg（2.2ポンド）のおもり用支柱
- 3 荷重アーム
- 4 クランプ
- 5 電圧計
- 6 始動ボタン
- 7 電源ボタン
- 8 試料台
- 9 切削針



2 梱包内容

- Elcometer 3000クレーメン式硬さ計
- 炭化タングステン製切削針、直径1mm（0.04インチ）
- 校正証明書（注文した場合）
- ユーザーガイド

Elcometer 3000モーター駆動型クレーメン式硬さ計のみに付属している部品

- 1kgのおもり4個
- 電源ケーブル：英国、欧州、米国用

Elcometer 3000クレーメン式硬さ計は、合板や厚い段ボール、発泡スチロールで梱包されています。硬さ計を後で搬送しなければならなくなった場合に備えて、包材を保管しておくことをお勧めします。包材を廃棄する場合は、環境保全に配慮した方法で行ってください。詳しくは、地方自治体等の適切な機関にお問い合わせください。

3 安全にお使いいただくために



感電するおそれがあるので、Elcometer 3000モーター駆動型クレーメン式硬さ計の筐体を開けないでください。硬さ計内部に、お客様が自分で修理できる部分はありません。お客様が一旦分解した後で返品されると、保証が無効になります。



火災や感電を防ぐために、Elcometer 3000モーター駆動型クレーメン式硬さ計を雨の中や湿った場所で使用しないでください。

3 安全にお使いいただくために（続き）

電源ケーブルの差込口には、ヒューズが1つ付いています。ヒューズの容量については、jp-10ページのセクション10「仕様」を参照してください。

英国仕様の電源プラグにはヒューズが付いています。このヒューズを取り替えるときは、必ず、正しい容量のものを使用してください。詳しくは、jp-10ページのセクション10「仕様」を参照してください。

正規の認定審査機関で承認された電源ケーブルを使用することをお勧めします。例えば、英国仕様ではEUR H05RN-F 3G（断面積0.75mm²）、米国仕様ではSJT 18AWG/3Cが適しています。

4 使い始める前に

4.1 設置



Elcometer 3000モーター駆動型クレーメン式硬さ計はかなりの重量があります。動かすときは、必ず2人以上で持ち上げてください。

Elcometer 3000は、その総重量に十分耐えられる平坦な場所に置いてください。**Elcometer 3000**モーター駆動型クレーメン式硬さ計には、水平に設置できるように高さ調節用の脚が付いています。

4.2 電源の入/切 - モーター駆動型のみ

本体の電源ボタンを押して電源を入れます。電源が入るとボタンが点灯します。もう一度電源ボタンを押すと電源が切れます。

5 試験の実施 - 手動型

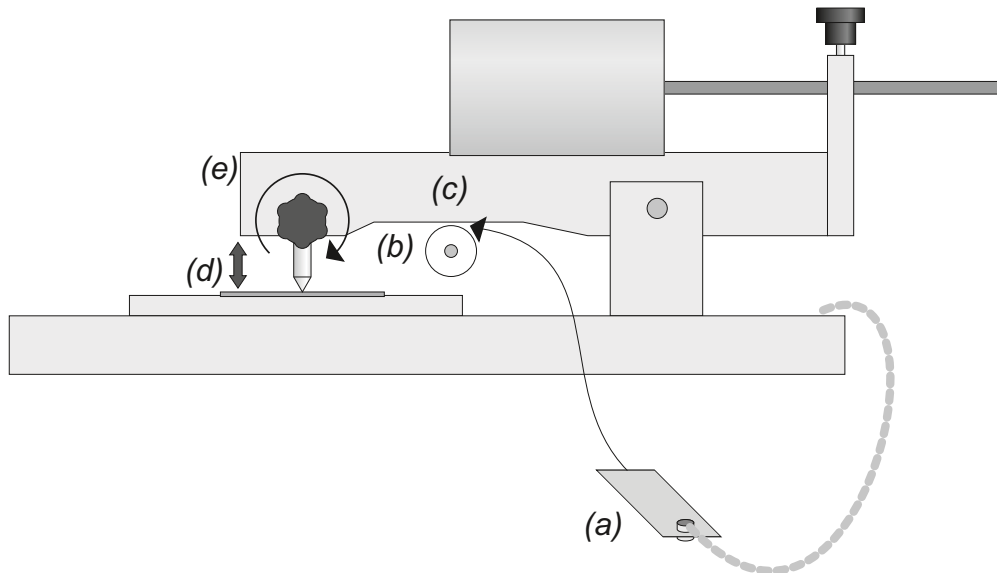
試験を始める前に、切削針の高さを調節する必要があります。

5.1 切削針の高さの調節

- 1 試料を試料台の上に置き、クランプのハンドルを回して固定します。
- 2 荷重アームを持ち上げ、そのまま試料の中央が切削針の真下にくるまで試料台をスライドさせます。

5 試験の実施 - 手動型 (続き)

- 3 金属製のシム (a) をナイロン製のホイール (b) と荷重アームの間に差し込んで、(c) 荷重アームを下げます。
- 4 切削針 (d) の先端が試料の表面に触れるまで下げ、ノブ (e) を時計回りに締めて切削針を固定します。



- 5 荷重アームを持ち上げて金属製のシムを取り除き、試料台を試験開始位置に戻します。
- 6 おもりをアームに沿って必要な荷重の目盛までスライドさせ、ノブを回して固定します。荷重は0-2kg (0-4.4ポンド) に設定できます。

これで、試験を開始する準備が整いました。

5.2 試験手順

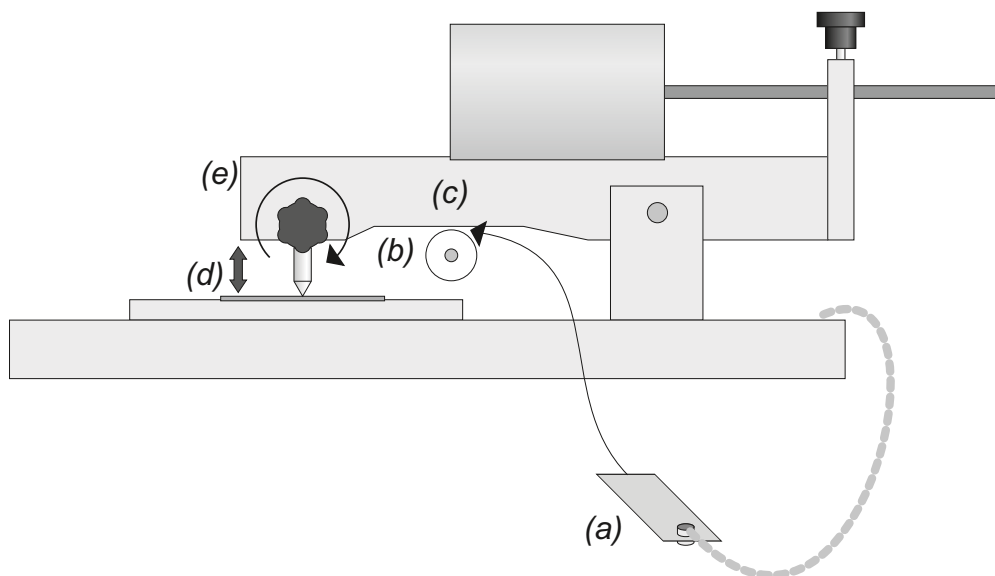
- 1 試料台を約30mm/秒 (1.2インチ/秒) の一定速度で手前に引きまします。ガタつかせずにひと息でスムーズに引いてください。
- 2 切削針は、試験開始時に下がり、終了時に上がります。
- 3 試料についての傷を観察し、試験法で決められている基準に従って判定してください。必要に応じて、荷重を増やして試験を繰り返します。

6 試験の実施 - モーター駆動型

試験を始める前に、切削針の高さを調節する必要があります。

6.1 切削針の高さの調節

- 1 本体に接続した電源ケーブルをコンセントに差し込み、電源ボタンを押して電源を入れます。
- 2 試料を試料台の上に置き、クランプのハンドルを回して固定します。
- 3 切削針の先端と試料の間に隙間があくように、切削針の高さを調節します。
- 4 切削針を試料のどちらかの端に配置し、始動ボタンを押したらすぐに電源ボタンを押します。これで、荷重アームが中央付近で止まります。
- 5 金属製のシム (a) をナイロン製のホイール (b) と荷重アームの間に差し込んで、荷重アームを下げます。
- 6 切削針 (d) の先端が試料の表面に触れるように調節し、ノブ (e) を時計回りに締めて切削針を固定します。



- 7 荷重アームを持ち上げて金属製のシムを取り除きます。荷重アームを手で支えたまま電源ボタンを押し、次に始動ボタンを押して切削針を試験開始位置まで戻します。
 - ▶ 切削針が動いている間荷重アームを手で支えたままにするのは、試料の表面や切削針、試料台が損傷するのを防ぐためです。
- 8 おもりをアームに沿って必要な荷重の目盛までスライドさせ、ノブを回して固定します。荷重は 0-1.5kg (0-3.3ポンド) に設定できます。

6 試験の実施 - モーター駆動型 (続き)

付属している1kg (2.2ポンド) のおもりを付けると、荷重を1.5-5kg (3.3-11ポンド) に設定できます。試験の条件に合わせて、荷重アームの支柱に必要な数だけおもりを取り付けてください。例えば、3.5kg (7.7ポンド) の荷重が必要な場合は、1kg (2.2ポンド) のおもりを支柱に3個取り付け、荷重アームのおもりを0.5kg (1.1ポンド) の目盛までスライドさせます。

これで、試験を開始する準備が整いました。

6.2 試験手順



硬さ計が動いている間は、手を触れないでください。

- 1 始動ボタンを押します。切削針が動き始め、試験開始位置までくると試料の表面に向かって下がり、終了位置にくると上がります。
- 2 試料についての傷を観察し、試験方法で決められている基準に従って判定してください。必要に応じて、荷重を増やして試験を繰り返します。

金属の表面の塗膜が完全に破壊されたときは、電圧計の針が10~12Vを指し、始動ボタンが点滅します（電流を検出する装置が働くのは、試料の下地が金属でその裏面が塗装されていない場合だけです）。

6.3 厚い試料を使用する場合

Elcometer 3000モーター駆動型クレーメン式硬さ計は、そのまま最大3mm (0.12インチ) の厚さの試料を試験できるように作られています。しかし、試験厚さ調整用キットを使用すると、厚さ20mm (0.8インチ) までの試料を試験できます。このキットは、アクセサリとして別途ご注文ください。

試験厚さ調整用キットには、次のものが含まれています。jp-8ページの図1に、それぞれの部品を取り付ける位置を示します。

部品	説明	数量
A	アームのスペーサー、55x39x5mm	3
B	クランプのスペーサー、35x30x12mm	1
C	ホイール用ハイトゲージ、5mmと15mm	1
	ホイール用ハイトゲージ、10mmと20mm	1

6 試験の実施 - モーター駆動型 (続き)

部品	説明	数量
D	3mmの六角レンチ	1
E	荷重アーム用M4 x 20ネジ4本	4本
F	クランプ用M4 x 25ネジ2本	2本
G	高さ調整可能なホイール	1



次の表を参考にして、適切な部品を装着してください。

試料の厚さ		荷重アーム用 5mm のスペーサー (個数)	クランプ用 12mm のスペーサー	ホイール用ハイトゲージ
mm	インチ			
0.5 - 5	0.02 - 0.2	0	不要	5mm
5 - 10	0.2 - 0.4	1	不要	10mm
10 - 15	0.4 - 0.6	2	必要	15mm
15 - 20	0.6 - 0.8	3	必要	20mm

注:

- 荷重アームの底部とクランプに、それぞれ適切なネジ (上の部品EとF) を使ってスペーサーを取り付けてください。
- ハイトゲージ (上の部品C) を使ってナイロン製ホイールの高さを調節し、ノブを回して固定してください。

7 交換部品とアクセサリー

7.1 切削針

Elcometer 3000には、直径1mm（0.04インチ）の炭化タングステンの切削針が標準で付属しています。

切削針は、試験を繰り返すうちに摩耗します。予備・交換用の切削針は、Elcometerまたは最寄りの代理店でお求めください。

説明	コード番号
炭化タングステン製切削針、 直径1mm（0.04インチ）	KT003000P021

7.2 引っかき試験用切込刃

硬さ計に付属している標準の切削針よりも、かなり深く大きな傷がつきます。アクセサリーとして別途ご注文ください。切込刃を使用するときは、標準切削針と同じ調整手順と試験手順に従ってください。

説明	コード番号
炭化タングステン製切込刃、 直径2mm（0.08インチ）	KT003000N001

7.3 試験厚さ調整用キット

キットに含まれている部品をElcometer 3000モーター駆動型クレーメン式硬さ計に取り付けると、厚さ20mm（0.8インチ）までの試料を試験できます。このキットは、アクセサリーとして別途ご注文ください。使い方について詳しくは、jp-7ページのセクション6.3「厚い試料を使用する場合」を参照してください。

説明	コード番号
試験厚さ調整用キット、 調整範囲5～20mm（0.02～0.8インチ）	KT003000N015

8 メンテナンス

本体上部の試料を取り付ける周辺を乾いた布で定期的に清掃してください。

Elcometer 3000に、お客様が自分で修理できる部分はありません。万一、欠陥が見つかった場合は、購入元の代理店またはElcometerに直接返品してください。

お客様が一旦分解した後で返品されると、保証が無効になります。

9 保証規定

Elcometer 3000には、汚染と摩耗を除く、製造上の欠陥のみを対象とした12か月間の保証が付いています。

交換可能な消耗品とアクセサリは、切削針と切込刃を含み、すべて保証対象外です。

10 仕様

10.1 Elcometer 3000手動型クレメン式硬さ計		
荷重範囲	0 - 2kg (0 - 4.4ポンド)	
試料の寸法	75 x 150mm (3 x 6インチ)	
試料の厚さ	0.5 - 3mm (0.02 - 0.12インチ)	
本体寸法	410 x 200 x 155mm (16.1 x 7.9 x 6.1インチ)	
重量	6kg (13.2ポンド)	
適合規格: AS/NZS 1580.403.1, BS 3900-E2, DIN 53799, ECCA T12, EN 13523-12, ISO 1518-1:2011		
10.2 Elcometer 3000モーター駆動型クレメン式硬さ計		
荷重範囲	0 - 5kg (0 - 11ポンド)	
試料の寸法	75 x 150mm (3 x 6インチ)	
試料の厚さ	標準:	0.5 - 3mm (0.02 - 0.12インチ)
	拡張 ^a :	5 - 20mm (0.2 - 0.8インチ)
電圧	英国/欧州:	230V AC; 0.1A; 50Hz
	米国:	120V AC; 0.2A; 60Hz
過電圧保護	カテゴリII	
ヒューズの定格	電源ソケット:	1 x T2AH250V
	直流ヒューズ ^b :	1 x T315MAH250V
	英国仕様プラグ:	1 x T3AH250V
使用温度 (周囲の気温)	5~40°C (41~104°F)	
移動・保管温度	-10~55°C (14~131°F)	
相対湿度	気温31°C (88°F) までは80%以下、気温の上昇に反比例して40°C (104°F) で50%	
jp-11ページに続く		

^a オプションの試験厚さ調整用キット使用時。jp-7ページのセクション6.3「厚い試料を使用する場合」を参照してください。

^b 電源ケーブル差込口の上にあります。

10 仕様

10.2 Elcometer 3000 モーター駆動型クレメン式硬さ計 (続き)	
汚染度	2
筐体の保護等級	IP20
本体寸法	460 x 280 x 330mm (18 x 11 x 13インチ)
重量	20kg (44ポンド)
注: 標高2000m (6562フィート) 以下の屋内だけで使用してください。 供給電圧の変動幅は定格電圧の10%です。 供給電圧が一時的に過電圧になることがあります。	
適合規格: AS/NZS 1580.403.1, BS 3900-E2, DIN 53799, ECCA T12, EN 13523-12, ISO 1518-1:2011, JIS K 5600-5-5	

11 関連する法律と規制について

適合宣言書:

Elcometer 3000モーター駆動型クレメン式硬さ計は、次のEU指令に準拠しています。

2006/42/EC 機械指令、2009/127/ECと2014/33/EUで改定

2014/30/EU 電磁的両立性

適合宣言書は、次のサイトからダウンロードできます。

www.elcometer.com/images/stories/PDFs/Datasheets/Declaration_of_Conformity/Japanese/DoC_3000_Motorised.pdf

本製品は、CISPR 11規格のグループ1、クラスBのISM装置に当てはまります。

クラスBに分類される装置: 家庭での使用、および住宅用の低電圧配線網に直接接続される施設での使用に適しています。

グループ1のISM装置: 装置内部の機能で必要とする無線周波エネルギーを意図的に生成したり使用したりします。

注: 本装置は、FCC規制の第15部に従って検査され、クラスB、デジタル装置の限度値を満たしていることが確認されています。これらの限度値は、装置の家庭での使用による有害な干渉を妥当な範囲に抑えるために設定されています。本装置は、電磁波を生成、使用し、外部に放射します。そのため、取扱説明書どおりに設置して使用しないと、無線通信障害を引き起こす可能性があります。ただし、ある決まった方法で設置すると干渉が発生しないという保証はありません。本装置が原因で、ラジオやテレビの受信障害が発生していると思われる場合は、本装置の電源を入れたり切ったりして確かめてください。本装置が受信障害を引き起こしている場合は、次のことを試してください。

- アンテナの位置や向きを変えます。
- ラジオやテレビから離れた場所に本装置を設置します。
- ラジオやテレビを接続している電気回路(コンセント)とは別の回路に本装置を接続します。
- 販売代理店または電気通信技術者に相談します。

T携帯機器や基地局による無線周波数(RF)電磁波の放射に関するFCCの規制によって、このような装置の運転中はアンテナを周囲の人から20cm以上離さなければならないと定められています。必ず、この規制に従ってください。本装置用のアンテナを他のアンテナや送信機と同じ場所に設置したり、同時に使用したりしないでください。

Elcometer Limitedによって明示的に認められていない改変を本装置に加えると、FCC規制に従って本装置を操作する権利を失うことがあります。

elcometer® は、Elcometer Limitedの登録商標です。所在地: Edge Lane, Manchester, M43 6BU, United Kingdom

その他の商標については、その旨が記されています。

Elcometer 3000クレメン式硬さ計は、合板や厚い段ボール、発泡スチロールで梱包されています。試験機を後で搬送しなければならなくなった場合に備えて、包材を保管しておくことをお勧めします。包材を廃棄する場合は、環境保全に配慮した方法で行ってください。詳しくは、地方自治体等の適切な機関にお問い合わせください。

本社: Elcometer Limited, Edge Lane, Manchester, M43 6BU, United Kingdom.

